

# RUSH LEVEL



## INDEX

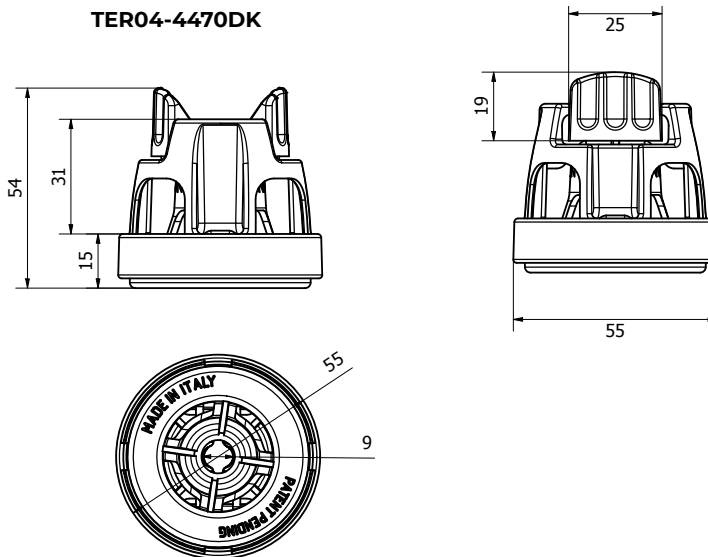
1. Code Registry
2. Description
3. Use
4. Synoptic consumption per square meter
5. Technical Specification

## 1. CODE REGISTRY

Code	Description	Colour	(mm)	Weight	Bag / Pkg. / Pallet
TER04-4470DK	Rush Level™ Cylinder	Blue	-	0,93 kg/bag	50 pcs. / 8 bags / 120 bags

**MATERIAL** Made of PP (polypropylene).

TER04-4470DK



## 2. DESCRIPTION

Rush Level™ System is a new generation of cylinder leveling system.

Main features are:

- It works with all spacer clips of any shape: linear, T and X shape.
- Very easy and fast to use: soft squeeze and push for initial set and squeeze again for quick release of the broken screws once used.
- Anti-scratch rubber pad integrated to prevent any marking.
- Wide working range for tiles from 3 to 22 mm and from 20 to 30 with linear screw TER04-4443DK (only for 3 mm thickness).
- Joint lines available: Linear 1, 1.5, 2, 2.5, 3 and 4 mm (3/64, 1/16, 5/64, 7/64, 1/8 and 5/32inch), Cross an T-shape 1, 2, 3 mm (3/64, 5/64 and 1/8inch) only.

Rush Level™ is available in two different packagings:

- Single bags composed of 100 disposable screws or 50 cylinders,
- Plastic box composed of 100 disposable linear screws and 50 leveling cylinders;

