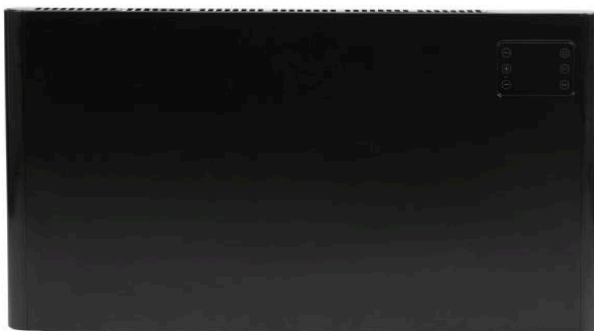


EN

Alutherm Wi-Fi

1000 / 1500 / 2000/ 2500

User manual



This product is only suitable for well insulated spaces or occasional use.

Model: Alutherm Wi-Fi

Date: 08/09/2025
Version: v14.0

EUROM[®]
POWERFUL PRODUCTS SINCE 1974

This product is only suitable for well insulated spaces or occasional use.

Model:	Product code white:	Product code black:
Alutherm 1000 Wi-Fi	360714	360707
Alutherm 1000 Wi-Fi (Swiss plug)	360721	-
Alutherm 1500 Wi-Fi	360745	361087
Alutherm 1500 Wi-Fi (Swiss plug)	360752	-
Alutherm 2000 Wi-Fi	360776	360769
Alutherm 2000 Wi-Fi (Swiss plug)	360783	360738
Alutherm 2500 Wi-Fi	360790	361117

Wi-Fi thermostat (OPTIONAL)

Model:	Product code:
Wi-Fi thermostat	365764
Wi-Fi thermostat (Swiss plug)	365771
Wi-Fi thermostat USB-C	365788

Mandatory warnings

Please read and understand these safety instructions. Incorrect use can cause injury and will void EUROM's warranty.



WARNING

- Do not use this heater in small rooms when they are occupied by persons not capable of leaving the room on their own, unless constant supervision is provided.
- To reduce the risk of fire, keep textiles, curtains, or any other flammable material a minimum distance of 1 m from the air outlet.



CAUTION

- Some parts of this product can become very hot and cause burns. Particular attention has to be given where children and vulnerable people are present.
- In order to avoid a hazard due to inadvertent resetting of the thermal cut-out, this appliance must not be supplied through an external switching device, such as a timer, or connected to a circuit that is regularly switched on and off by the utility.



WARNING

In order to avoid overheating, do not cover the heater.

- Children of less than 3 years should be kept away unless continuously supervised.
- Children aged from 3 years and less than 8 years shall only switch on/off the appliance provided that it has been placed or installed in its intended normal operating position and they have been given supervision or instruction concerning use of the appliance in a safe way and understand the hazards involved. Children aged from 3 years and less than 8 years shall not plug in, regulate and clean the appliance or perform user maintenance.
- This appliance can be used by children aged from 8 years and above and persons with reduced physical, sensory or mental capabilities or lack of experience and knowledge if they have been given supervision or instruction concerning use of the appliance in a safe way and understand the hazards involved. Children shall not play with appliance. Cleaning and user maintenance shall not be done by children without supervision.
- Heater must not be located immediately below a socket-outlet.
- If the supply cord is damaged, it must be replaced by manufacturer, its service agent or similarly qualified persons in order to avoid a hazard.
- Heater is to be installed so that switches and other controls cannot be touched by a person in the bath or shower.
- Do not use this heater in the immediate surroundings of a bath, a shower or a swimming pool.
- Do not use this heater if it has been dropped.
- Do not use if there are visible signs of damage to the heater.

When using the Alutherm heater freestanding with the pedestals mounted: Use this heater on a horizontal and stable surface.

The device is equipped with an overheating protection, which switches it off automatically in case of internal overheating. Switch the device off, unplug the power plug, remove the source of overheating, let it cool down and use as normal. Do not use the device if the source of overheating cannot be traced or if the problem persists, but always contact your supplier.

The device is fitted with a tipping safeguard, which ensures it automatically shuts off if it tips over. When the device is returned to its upright position, it will resume functioning normally. Before reusing the device, switch it off, unplug it and check it for damage. Do not use the device if it is damaged or malfunctioning, but always contact your supplier.

General safety instructions



WARNING

- Prevent splashing water on or in the device.
- Do not immerse any part of the device in water or other liquids.
- Never insert fingers or other objects into the openings of the device.
- Do not expose the device to strong vibrations or mechanical stress.



WARNING

The device becomes very hot during use. Do not touch the device during use or within five minutes after use.



CAUTION

Do not cover the device during usage or after use while the device is still hot. To reduce the risk of fire, keep textiles, curtains, tent canvasses and other flammable material at a minimum distance of 1 meter from the device.

Safety during operation

WARNING

Do not use the device:

- outdoors or in a small space;
- if any parts are dirty or wet;
- near large objects, like behind a door, under a shelf or near a cupboard;
- near a water source in zone 1 and zone 2, like a bath, shower or swimming pool;
- near or in a dusty and dirty environment, like a construction site;
- near flammable materials, liquids or fumes, e.g. in a shed, stable or green house;
- near other heat sources and open fire;
- immediately below a socket outlet;
- with an appliance that automatically switches the device on, such as a timer, dimmer or any other device.



If the device, the electric cable or plug shows damage or is malfunctioning, immediately take the appliance out of use and disconnect the power supply.

Warranty

EUROM offers a 60-month warranty on this device from the date of purchase. The warranty does not cover wear and tear from normal use. The warranty expires if a defect is the result of unintentional or careless use of the device. The manufacturer, importer and supplier are not liable for incorrect connections.

Introduction

Thank you for choosing this EUROM device. You have purchased a quality device that you will enjoy for many years. Using this device with respect and care will reduce the risk of personal injury or material damage.



CAUTION

It is important to read and understand this instruction manual before assembling, installing and using the device.

This manual describes the correct and safe use of this device. Keep this manual for future reference. The manual is an essential part of the device and must be given to the new owner upon resale or exchange. This manual has been compiled with the utmost care. Nevertheless, we reserve the right to improve and adjust this manual at any time. The images used may differ.

The following symbols and terms are used in this manual to alert the reader to safety issues and important information:

**WARNING**

Indicates a hazardous situation which, if the safety instructions are not followed, can lead to injuries to the operator or bystanders, light and/or moderate damage to the product or to the environment.

**CAUTION**

Indicates a hazardous situation which, if the safety instructions are not followed, can lead to light and/or moderate damage to the product or to the environment.

Identification





EUROM [®] POWERFUL PRODUCTS SINCE 1974	Alutherm **** WiFi Art.nr. ***** Batch *****		
230V ~ 50/60Hz - ****_**** Watt			
			
EUROMAC B.V. - KOKOSSTRAAT 20 - 8281 JC - GENEMUIDEN - NETHERLANDS - info@eurom.nl			

Figure 1.





EUROM [®] POWERFUL PRODUCTS SINCE 1974	Alutherm **** WiFi Swiss plug Art.nr. ***** Batch *****		
230V ~ 50/60Hz - ****_**** Watt			
			
EUROMAC B.V. - KOKOSSTRAAT 20 - 8281 JC - GENEMUIDEN - NETHERLANDS - info@eurom.nl			

Figure 2.

Specifications

Type	Alutherm 1000 Wi-Fi	Alutherm 1500 Wi-Fi	Alutherm 2000 Wi-Fi	Alutherm 2500 Wi-Fi
Product size:	61.4 x 20.8 x 45.8 cm	75.9 x 20.8 x 45.8 cm	92.2 x 20.8 x 45.8 cm	102 x 20.8 x 45.8 cm
Weight:	3.9 kg	4.7 kg	5.5 kg	5.9 kg
Voltage:	230V~ / 50-60Hz	230V~ / 50-60Hz	230V~ / 50-60Hz	230V~ / 50-60Hz

Type	Alutherm 1000 Wi-Fi	Alutherm 1500 Wi-Fi	Alutherm 2000 Wi-Fi	Alutherm 2500 Wi-Fi
Power (L/M/H):	400/600/1000W	600/900/1500W	800/1200/2000W	1000/1500/2500W
Protection rating:	IP24	IP24	IP24	IP24
Protective class:	Class I	Class I	Class I	Class I
Minimal space area:	10 m ³	15 m ³	20 m ³	25 m ³

Hereby, Euromac b.v. declares this product is in compliance with Directive 2014/53/EU.

The full text of the EU declaration of conformity is available at the following internet address: www.eurom.nl/declaration-of-conformity.

- Wi-Fi and Bluetooth Frequency Band: 2.4 ~ 2.4835GHz
- Maximum radio-frequency power transmitted in this frequency band(s):
 - Wi-Fi: 17.5dBm
 - Bluetooth: 6.5dBm

Description

The Alutherm Wifi is an easy-to-use electric heater for indoor use (Figure 3). The device can be programmed on a day and a week timer. The Alutherm Wifi can be used with the Eurom Smart App.

Unboxing

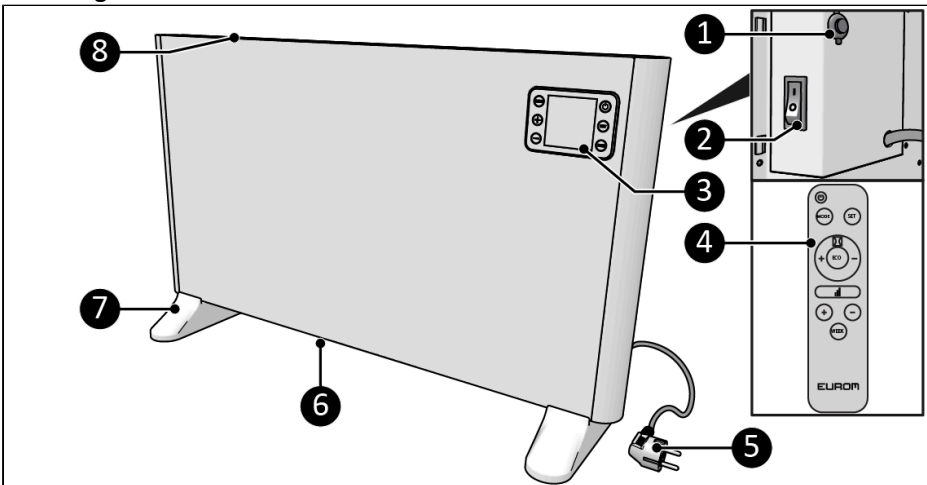


Figure 3.

No.	Description	No.	Description
1	Connection external temperature sensor	5	Power plug
2	ON/OFF switch	6	Air inlet safety grill
3	Control panel and LED display	7	Pedestals (Optional)
4	Remote control	8	Heat outlet safety grill

Control panel

1. ON/OFF button
2. LED display
3. SET button
4. WEEK button
5. Minus button
6. Remote control receiver
7. Plus button
8. MOD button

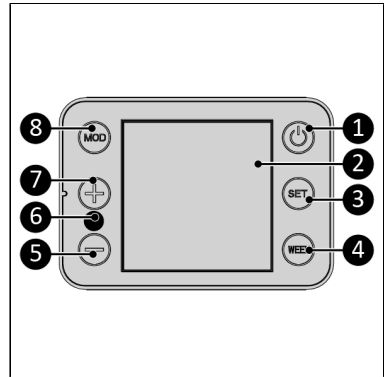


Figure 4.

LED display

The LED display will go dark if no adjustments are made for 2 minutes. The LED display will light up again when you press a button.

Status indication (Figure 5, pos. 1):

- The 3 suns indicate whether the heater is set to low, medium or high capacity.
- The Wi-Fi symbol indicates if there is a Wi-Fi connection.
- The “P” indicates that the program function is active.
- The “M” indicates that the manual function is active.

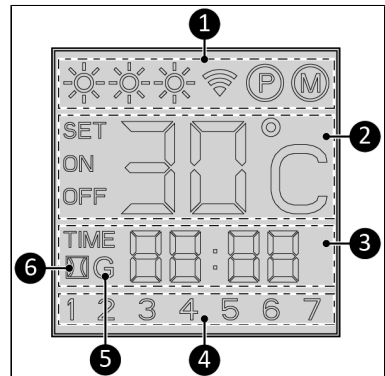


Figure 5.

Temperature indication (Figure 5, pos. 2):

- SET indicates that the day or time can be set, or that the SET temperature is shown on display.
- ON indicates that the heater is switched on.

- OFF indicates that the heater has been switched off with the stand-by button.
- Temperature shown in degree Celsius.

Time indication (Figure 5, pos. 3):

- Time shown in 24-hours format.

Day indication (Figure 5, pos. 4):

- Number corresponds with the day of the week: 1 = Monday, 2 = Tuesday, and so on.

Wi-Fi indication (Figure 5, pos. 5):

- The “G” indicates that the device is connected to the Wi-Fi thermostat.

Open window detection (Figure 5, pos. 6):

- Open window detection is active.

Remote control



ATTENTION

Batteries not included.

1. ON/OFF button
2. SET button
3. Open window detection button
4. Circle minus button
5. Minus button
6. WEEK button
7. Plus button
8. Heat capacity button
9. Circle plus button
10. ECO button
11. Mode button

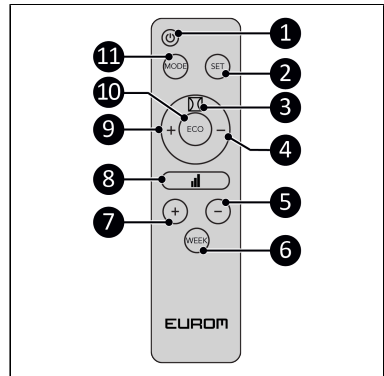


Figure 6.

Transport and storage

- Clean the device before storing it.
- Transport the device in an upright position.
- Store the device in an upright position, in its original packaging, in a cool, dry and dust-free area.

Assembly



WARNING

Never place the device on surfaces such as beds or deep-pile carpet as openings could be blocked.



WARNING

Plastic bags can be dangerous. To avoid danger of suffocation, keep this bag away from babies and children.

The device is packed in one box. Remove all packaging material and check that the device is not damaged. Do not use the device if it is damaged, but always contact your supplier. Keep the packaging for safe storage and transport. The device can be assembled in two ways; mounted on pedestals or mounted on a wall.

Mounting on pedestals

1. Lay the device down on a steady soft surface (Figure 7, pos. 4).
2. Place the pedestals (Figure 7, pos. 3) on both sides of the main body (Figure 7, pos. 5).
3. Screw and tighten the pedestals with a small screw (Figure 7, pos. 1) using a Phillips screwdriver (Figure 7, pos. 2).

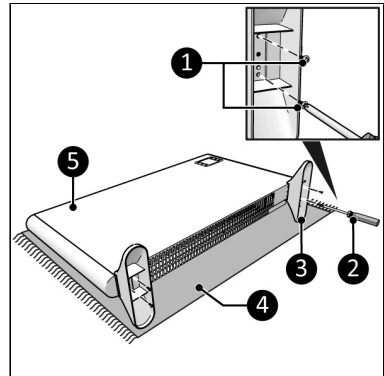


Figure 7.

4. Place the device on a horizontal, solid and non-flammable surface.
5. Place the device with a minimum clearance distance (Figure 8) of:
 - 100 cm on the top side;
 - 50 cm on the sides;
 - 30 cm on the back side;
 - 50 cm on the front side.
6. Do not place the device immediately below a socket outlet.

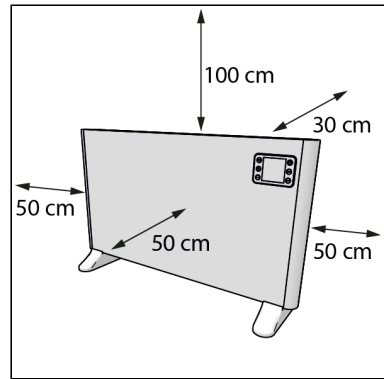


Figure 8.

Wall mounting



WARNING

The wall used for mounting must be made from non-flammable material and should be able to withstand a minimum temperature of 200 °C.



CAUTION

Make sure to use suitable fastening materials, depending on the surface. Never block the space between the device and the wall.

1. Place the device on a vertical and solid surface. Use a spirit level when placing the device (Figure 9, pos. 1).
2. Place the device with a minimum distance (Figure 9) of:
 - 150 cm from the ceiling;
 - 30 cm from the side walls;
 - 10 cm from the floor;
 - 50 cm clearance on the front side.
3. Do not mount the device:
 - immediately below a socket outlet;
 - on a ceiling or roof.

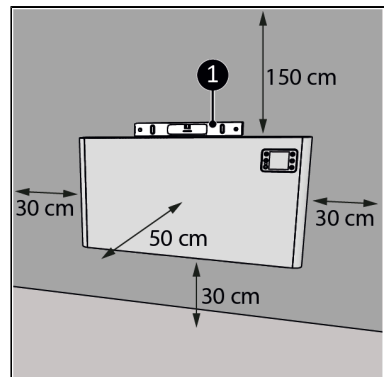


Figure 9.

4. Drill two holes at least 610 mm above the floor for the brackets. The distance between the holes is approximately (Figure 10, pos. A)*:
 - Alutherm 1000: 255 mm;
 - Alutherm 1500: 400 mm;
 - Alutherm 2000: 563 mm;
 - Alutherm 2500: 655 mm.
5. Place wall plugs (Figure 10, pos. 2).
6. Screw and tighten a left and a right bracket (Figure 10, pos. 3) to the wall with a large screw (Figure 10, pos. 4) using a Phillips screwdriver (Figure 10, pos. 1).

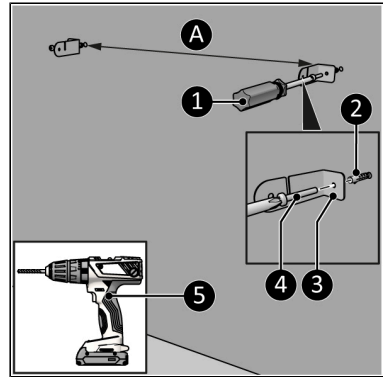


Figure 10.



CAUTION

*Be aware that these are the holes for the wall bracket and not the slots in the heater.

7. Lay the device down on a soft steady surface (Figure 11, pos. 4).
8. Screw and tighten two brackets (Figure 11, pos. 1) on both sides of the main body (Figure 11, pos. 5) with a small screw (Figure 11, pos. 2) using a Phillips screwdriver (Figure 11, pos. 3).

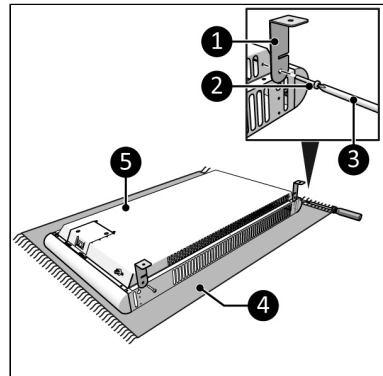


Figure 11.

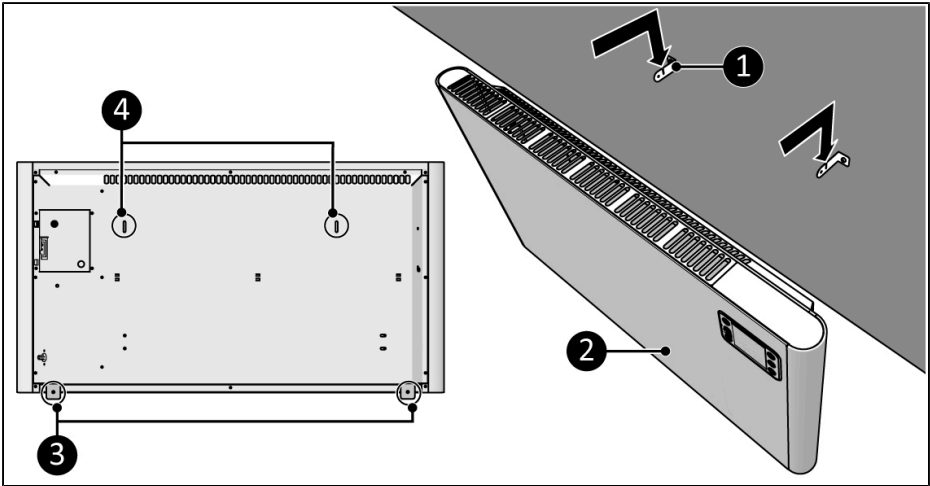


Figure 12.

9. Place the bracket holes (Figure 12, pos. 4) over the wall brackets (Figure 12, pos. 1).
10. Let the device (Figure 12, pos. 2) drop into the openings of the wall brackets (Figure 12, pos. 1).
11. Use the device brackets (Figure 12, pos. 3) to mark the bottom hole position on the wall.
12. Remove the device from the wall brackets (Figure 12, pos. 1)
13. Drill two holes at the marked positions and place the wall plugs.
14. Place the device (Figure 13, pos. 2) back on the wall brackets (Figure 13, pos. 1).
15. Screw and tighten the device brackets (Figure 13, pos. 4) with a large screw (Figure 13, pos. 3) to the wall using a Phillips screwdriver (Figure 13, pos. 2).

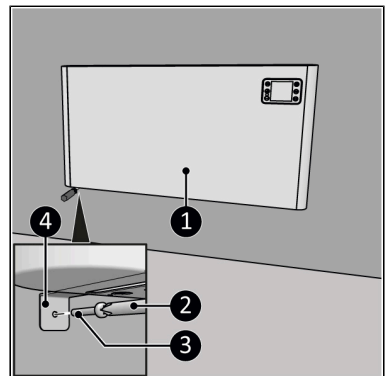


Figure 13.

Temperature sensor (Optional)



CAUTION

For accurate temperature measuring use the external temperature sensor.

1. Make sure the ON/OFF switch is in the OFF position (Figure 14, pos. 3).
2. Connect the external temperature sensor connector (Figure 14, pos. 2) to the sensor plug.
3. Place the temperature sensor approximately 2 meters away from the device.

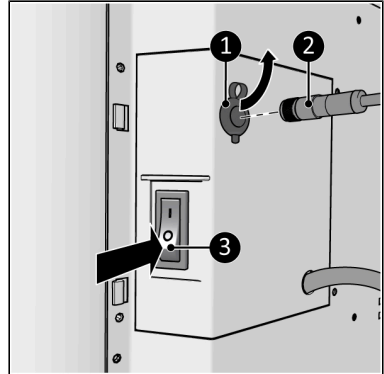


Figure 14.

Installation



WARNING

- Do not put the power plug into the wall socket before the device is correctly mounted or stands in the right place.
- Do not use an extension cable; this can cause overheating and fire. If using an extension cable is unavoidable, make sure it is undamaged and earthed. Use an extension cable with a minimum power of 1000-1500-200-2500 Watt.
- Always unwind the extension cable completely to prevent overheating.



CAUTION

Make sure that the main voltage is the same as indicated on the identification label of the device. All electrical connections must stay dry under all circumstances.

1. Make sure the device is correctly assembled.
2. Make sure the ON/OFF switch is in the OFF position (Figure 15, pos. 1).
3. Place the power plug (Figure 15, pos. 2) into an earthed wall socket that is easily accessible. Use an earthed wall socket with a minimum power of 2500 Watt.

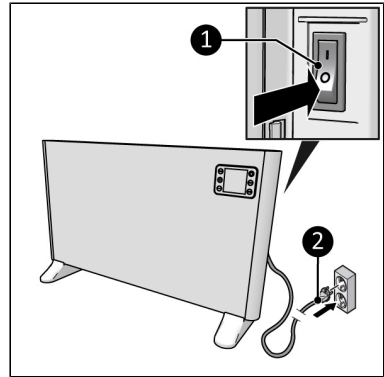


Figure 15.

Remote control

1. Remove the cover (Figure 16, pos. 1).
2. Remove the batteries (if present).
3. Insert two batteries (AAA 1.5 V) (Figure 16, pos. 2) as indicated in the battery compartment. Make sure to insert the batteries correctly.
4. Replace the cover.

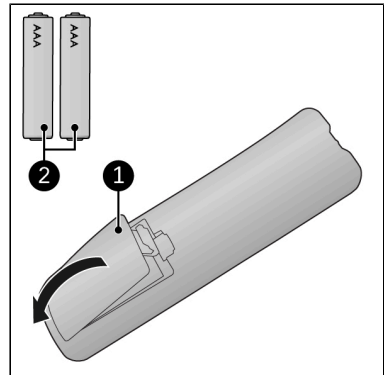


Figure 16.

Operation



WARNING

Before every use, make sure that:

- you operate the device with dry hands;
- the device is clean and dry;
- the device is not damaged;
- the device is not covered or blocked;
- the device is securely installed.

**CAUTION**

When the device is turned on or off, it may emit a sound. This is the material expanding and shrinking during heating and cooling down.

**CAUTION**

The day and time settings will be reset to default if the device is switched off, using the ON/OFF switch, or is unplugged.

1. Set the ON/OFF switch to the ON position (Figure 17, pos. 1).
2. The display (Figure 17, pos. 2) will show OFF.
3. Press the ON/OFF button.
4. Press and hold the SET button until SET appears on the screen.
5. Use the plus and minus button to select the correct day and confirm with the SET button.
6. Use the plus and minus button to set the correct time:
 - Hours, confirm with the SET button;
 - Minutes, confirm with the SET button.
7. Press the MOD button to choose the desired function: manual or program.

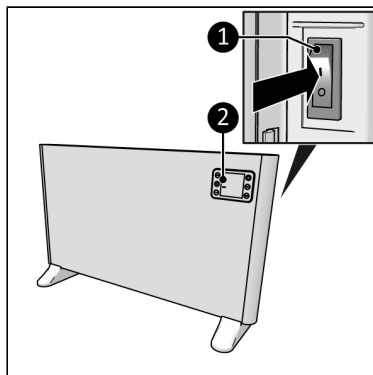


Figure 17.

Manual function

1. Set the capacity at which the heater will work using the plus and minus button. The 3 suns indicate whether the heater is set to low, medium or high capacity.

Program function

1. Set the desired temperature for the device using the plus and minus button. The device automatically chooses the correct heating capacity to reach and remain the desired temperature;
 - when the ambient temperature reaches above the desired temperature, the device will change from high capacity to medium capacity;
 - each 10 minutes the device will check the ambient temperature and adjust the heating capacity:

- if ambient temperature is more than 1 degree below desired temperature, the device will increase capacity;
- if ambient temperature is within 1 degree below and 1 degree above desired temperature, the device will heat keep current capacity;
- if ambient temperature is more than 1 degrees above desired temperature, the device will decrease capacity.

In most cases the device will heat up the room slightly higher than the desired temperature. To save energy costs, it is recommended not to set the desired temperature too high and adjust accordingly.

Weekly timer setting



CAUTION

The week timer can be set via the remote control, but is more easily set by using the Eurom Smart App.

1. Make sure the device is set to program function.
2. Press and hold the WEEK button until 01 appears on the screen.
3. Use the plus and minus button to choose the desired setting:
 - 01 – one-off setting (must fall in the current week).
 -][– every week setting.
4. Confirm with the SET button; ON appears blinking on the screen.
5. Use the plus and minus buttons to select:
 - the desired day, confirm with the SET button;
 - the desired temperature, confirm with the SET button;
 - the desired hours, confirm with the SET button;
 - the desired minutes, confirm with the SET button.
6. 01 SET OFF will appear on the screen; repeat step 5 to indicate the deactivation time.
7. 02 appears on the screen, there are two options:
 - Set next activation and deactivation times, repeat step 5 and 6 for every desired time. Make sure the timer settings do not contradict each other: maximum 28 per week, maximum 4 per day.
 - If you are done setting the activation and deactivation times, wait till screen returns to standard settings.
8. The screen will show P and the device will automatically switch on and off at the set time.

View weekly timer setting

1. Press repeatedly on WEEK. You will see the following timer settings, one after the other:
 - one-off or repeated;
 - temperature setting;
 - timer on-time;
 - timer off-time;
 - next timer setting.

All 28 timer settings are shown. Including the settings that have not been configured.

Turning off weekly timer setting

1. Press and hold the WEEK button until 01 or][appears flashing on the screen.
2. Press and hold the MOD until TIME disappears from the screen to indicate that the data will be retained but will not be active. By pressing MOD again until TIME appears, you will reactivate the timer.

Deleting weekly timer setting

1. Press and hold the WEEK button until 01 or][appears on the screen.
2. Go past 01-][and on/off first by pressing SET briefly.
3. When the number of the timer setting that you wish to change appears, press SET for a little longer. You will hear a short beep and the selected setting has been deleted.
4. If you wish to delete all timer settings, press the WEEK button and hold. Press and hold the MOD and SET buttons at the same time, until you hear a beep. The screen will show 88:88, indicating that all settings have been deleted.

Open window detection

1. Press the Open window detection button to activate. The Open window indicator appears on the display.
2. When the ambient temperature decreases 5°C or more within 15 minutes, the device will go in standby mode and the Open window indicator starts flashing on the display.
3. Press the Open window detection button to deactivate.

ECO mode

The remote control has an ECO button for an energy-efficient mode; the device maintains the room temperature at 16°C.

1. Press the ECO button to activate; EC appears on the screen.
2. Press the ECO button to deactivate.

If the heater is working in ECO mode and a timer setting becomes active, the device will start to work according to the timer setting. When the timer setting ends and the device goes off, the device will not return to the ECO mode.

Eurom Smart App



CAUTION

Do not use the weekly timer created with the device at the same time as the weekly timer created with the Eurom Smart App. Timer settings created by the Eurom Smart App are not visible on the device display. Timer settings created on the device are not visible in the Eurom Smart App.



CAUTION

It is recommended to switch on Bluetooth on your smart phone when connecting your Eurom device for the first time. Doing so will make connecting quicker and easier.

The device can be operated using an app on a smartphone or tablet. The Eurom Smart App can be used to:

- switch the device on and off;
- regulate the temperature;
- activate the ECO mode.

The app can also be used to set twenty on and off timer settings daily, on the weekly timer.

1. Open the Eurom Smart App manual with the QR code (Figure 18) or go to www.eurom.nl/nl/manuals.
2. Complete the steps in the Eurom Smart App manual.
 - When the device is connected with Wi-Fi, the Wi-Fi symbol appears on the screen.
 - If the Wi-Fi symbol is blinking there is no connection.



Figure 18.

Smart Timer

1. Create a schedule with days and times in the Eurom Smart App. Timer settings set in the app:
 - will be stored on the device;
 - will not be visible on the device;
 - will remain available if Wi-Fi disconnects;
 - will remain available if the device is switched off or unplugged;
 - can only be removed via the app.
2. Check the data in the app regularly.

Reset Wi-Fi connection

1. Press and hold the MOD button until a beep sounds. Existing connections will be deleted. The Wi-Fi symbol will start blinking and a new connection can be made.

Switch off Wi-Fi connection

1. Press and hold the ON/OFF button until a beep sounds. The Wi-Fi is switched off and the Wi-Fi symbol will disappear from the screen.
2. Press and hold the ON/OFF button until a beep sounds. The Wi-Fi is switched on and the Wi-Fi symbol will appear on the screen.

Wi-Fi thermostat ready (Optional)

This device can be connected with the optional Wi-Fi thermostat. The temperature is measured at the Wi-Fi thermostat instead of the device. This ensures an optimized comfort level. The device will keep heating until the set temperature of the Wi-Fi thermostat is reached.

It is possible to connect multiple devices to a single Wi-Fi thermostat. All the connected devices will switch on and off simultaneously.

To use the Wi-Fi thermostat:

1. Place the Wi-Fi thermostat in any power socket.
2. Download the Eurom Smart App on a (mobile) device.
3. Open the Eurom Smart App.
4. Add the Wi-Fi thermostat and other devices to the Eurom Smart App.
5. Go to the device(s) and press the Pairing Button to pair the device(s) to the Wi-Fi thermostat.

The device is connected to the Wi-Fi Thermostat. The G-sign illuminates in the Eurom Smart app and on the device. Now you can enjoy the optimized comfort level of permanent electric heating.

ECO mode

The Eurom Smart App has an ECO button. ECO mode maintains the room temperature at 16°C.

1. Press the ECO button to activate; EC appears on the screen.
2. Press the ECO button to deactivate.

If the device is working in ECO mode and a timer setting becomes active, the device will start working according to the timer setting. When the timer setting ends, the device will not return to ECO mode.

After operation



CAUTION

Do not use the power cable to unplug or carry the device. Do not wind the power cable too tightly or in sharp corners. Do not wrap the power cable around the device.

1. Make sure the ON/OFF switch is in the OFF position.
2. Disconnect the power plug from the power outlet.
3. Let the device cool down before touching it.
4. Wind the power cable.
5. Remove the batteries from the remote control.

Maintenance



WARNING

Do not perform any repairs or modifications to this device.

Maintenance and repairs must be carried out by a EUROM authorized professional. If the electric cable and/or electric plug is damaged, it should be replaced by the manufacturer or its service employee or persons with similar qualifications to prevent risks.

Cleaning



WARNING

The device becomes very hot. Make sure the device is turned off, unplugged and completely cooled down.



CAUTION

Do not use:

- scouring pads;
- hard brushes;
- flammable, aggressive or chemical cleaning products.

Prevent water from entering the device. Do not immerse any part of the device in water or other liquids.

It is recommended to clean the device after each use and prior to storage.

1. Carefully vacuum the openings to remove dust and dirt.
2. Wipe the device with a damp, clean, soft, lint-free cloth or a soft brush.
3. Let the device dry completely prior to use and storage.

Disposal



This marking indicates that this product should not be disposed of with other household waste throughout the EU. To prevent possible harm to the environment or human health from uncontrolled waste disposal, recycle it responsibly to promote the sustainable reuse of material resources. To return your used device, please use the return and collection systems or contact the retailer where the product was purchased. They can take this product for environmentally safe recycling.

Attachments

Information requirements for the electric local space heaters					
Model identifier: Alutherm 1000 Wi-Fi					
Item	Symbol	Value	Unit	Item	Unit
Heat output				Type of heat output/room temperature control (select one)	
Nominal heat output	P _{nom}	1.000	kW	single stage heat output and no room temperature control	no
Minimum heat output (indicative)	P _{min}	0.396	kW	two or more manual stages, no room temperature control	no
Maximum continuous heat output	P _{max,c}	1.010	kW	with mechanic thermostat room temperature control	no
Power consumption				with electronic room temperature control	
In off mode	P _o	N.A.	W	electronic room temperature control plus day timer	no
In standby mode	P _{sm}	0.33	W	electronic room temperature control plus week timer	yes
In idle mode	P _{idle}	0.33	W	Other control options (multiple selections possible)	
In network standby	P _{nsm}	1.07	W	room temperature control, with presence detection	no
Standby mode with display of information or status			yes	room temperature control, with open window detection	yes
Seasonal space heating energy efficiency in active mode	η _{S,on}	94.1	%	distance control option	yes
				adaptive start control	no
				working time limitation	yes
				black bulb sensor	no
				self-learning functionality	no
				control accuracy	no
Contact details	Eurom - Kokosstraat 20 - 8281 JC - Genemuiden - The Netherlands				

Information requirements for the electric local space heaters					
Model identifier: Alutherm 1500 Wi-Fi					
Item	Symbol	Value	Unit	Item	Unit
Heat output			Type of heat output/room temperature control (select one)		
Nominal heat output	P _{nom}	1.500	kW	single stage heat output and no room temperature control	no
Minimum heat output (indicative)	P _{min}	0.605	kW	two or more manual stages, no room temperature control	no
Maximum continuous heat output	P _{max,c}	1.520	kW	with mechanic thermostat room temperature control	no
Power consumption			with electronic room temperature control		
In off mode	P _o	N.A.	W	electronic room temperature control plus day timer	no
In standby mode	P _{sm}	0.33	W	electronic room temperature control plus week timer	yes
In idle mode	P _{idle}	0.33	W	Other control options (multiple selections possible)	
In network standby	P _{ns}	1.07	W	room temperature control, with presence detection	no
Standby mode with display of information or status			yes	room temperature control, with open window detection	yes
Seasonal space heating energy efficiency in active mode	η _{S,on}	94.1	%	distance control option	yes
			adaptive start control		
			working time limitation		
			black bulb sensor		
			self-learning functionality		
			control accuracy		
Contact details	Eurom - Kokosstraat 20 - 8281 JC - Genemuiden - The Netherlands				

Information requirements for the electric local space heaters					
Model identifier: Alutherm 2000 Wi-Fi					
Item	Symbol	Value	Unit	Item	Unit
Heat output			Type of heat output/room temperature control (select one)		
Nominal heat output	P _{nom}	2.000	kW	single stage heat output and no room temperature control	no
Minimum heat output (indicative)	P _{min}	0.790	kW	two or more manual stages, no room temperature control	no
Maximum continuous heat output	P _{max,c}	2.025	kW	with mechanic thermostat room temperature control	no
Power consumption			with electronic room temperature control		
In off mode	P _o	N.A.	W	electronic room temperature control plus day timer	no
In standby mode	P _{sm}	0.33	W	electronic room temperature control plus week timer	yes
In idle mode	P _{idle}	0.33	W	Other control options (multiple selections possible)	
In network standby	P _{ns}	1.07	W	room temperature control, with presence detection	no
Standby mode with display of information or status			yes	room temperature control, with open window detection	yes
Seasonal space heating energy efficiency in active mode	η _{S,on}	94.1	%	distance control option	yes
			adaptive start control		
			working time limitation		
			black bulb sensor		
			self-learning functionality		
			control accuracy		
Contact details	Eurom - Kokosstraat 20 - 8281 JC - Genemuiden - The Netherlands				

Information requirements for the electric local space heaters					
Model identifier: Alutherm 2500 Wi-Fi					
Item	Symbol	Value	Unit	Item	Unit
Heat output			Type of heat output/room temperature control (select one)		
Nominal heat output	P _{nom}	2.500	kW	single stage heat output and no room temperature control	no
Minimum heat output (indicative)	P _{min}	1.005	kW	two or more manual stages, no room temperature control	no
Maximum continuous heat output	P _{max,c}	2.510	kW	with mechanic thermostat room temperature control	no
Power consumption			with electronic room temperature control		
In off mode	P _o	N.A.	W	electronic room temperature control plus day timer	no
In standby mode	P _{sm}	0.33	W	electronic room temperature control plus week timer	yes
In idle mode	P _{idle}	0.33	W	Other control options (multiple selections possible)	
In network standby	P _{ns}	1.07	W	room temperature control, with presence detection	no
Standby mode with display of information or status			yes	room temperature control, with open window detection	yes
Seasonal space heating energy efficiency in active mode	η _{S,on}	94.1	%	distance control option	yes
			adaptive start control		
			working time limitation		
			black bulb sensor		
			self-learning functionality		
			control accuracy		
Contact details	Eurom - Kokosstraat 20 - 8281 JC - Genemuiden - The Netherlands				

Kokosstraat 20, 8281 JC Genemuiden, The Netherlands

T: (+31) 038 385 43 21

E: info@eurom.nl

I : www.eurom.nl

Model: Alutherm Wi-Fi

Date: 08/09/2025

Version: v14.0

EUROM[®]

POWERFUL PRODUCTS SINCE 1974