



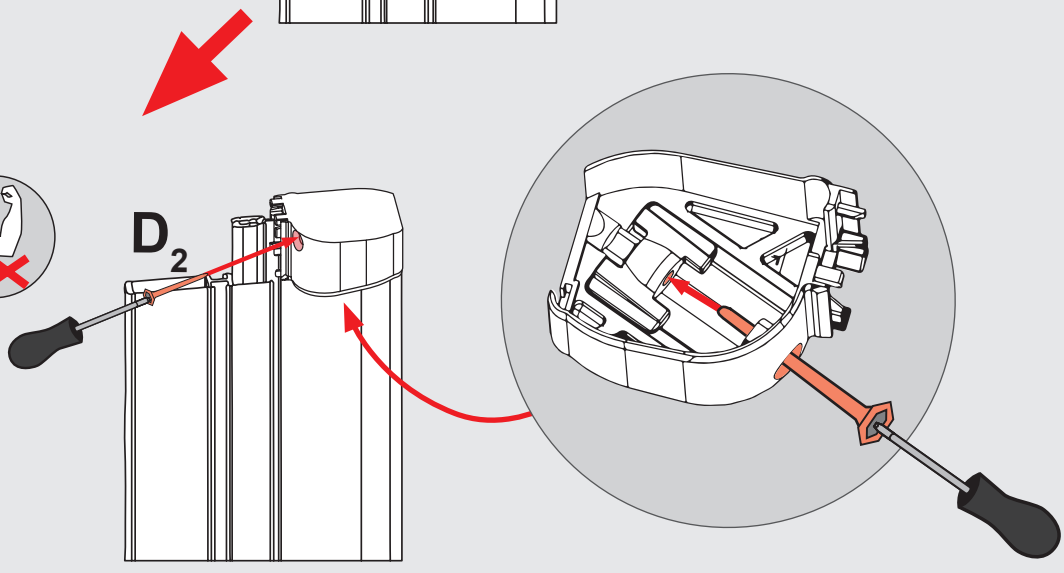
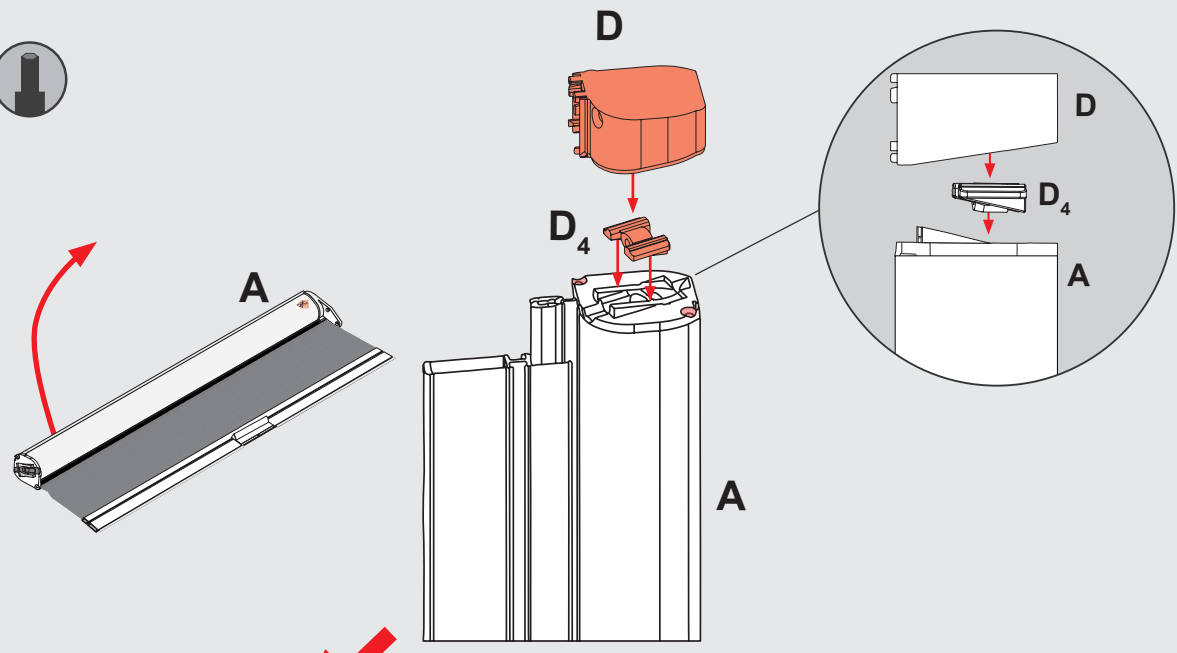
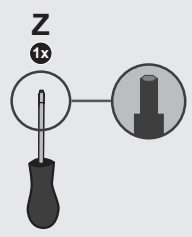
	A	ET3520-A ET3522-A		E	ET3520-E
	B	ET3520-B ET3522-B		F₁	ET3520-F ₁ ET3522-F ₁
	B₂	ET3520-B ₂		F₂	ET3520-F ₂ ET3522-F ₂
	B₃	ET3520-B ₃		G	ET3520-G
	C	ET3520-C ET3522-C		H	ET3520-H
	D	ET3520-D ET3522-D		I	ET3520-I
	D₂	ET3520-D ₂		J	ET3520-J
	D₃	ET3520-D ₃		K₁	ET3520-K ₁ ET3522-K ₁
	D₄	ET3520-D ₄		K₂	ET3520-K ₂ ET3522-K ₂
	D₅	ET3520-D ₅		K₃	ET3520-K ₃



www.hornbach.de

1

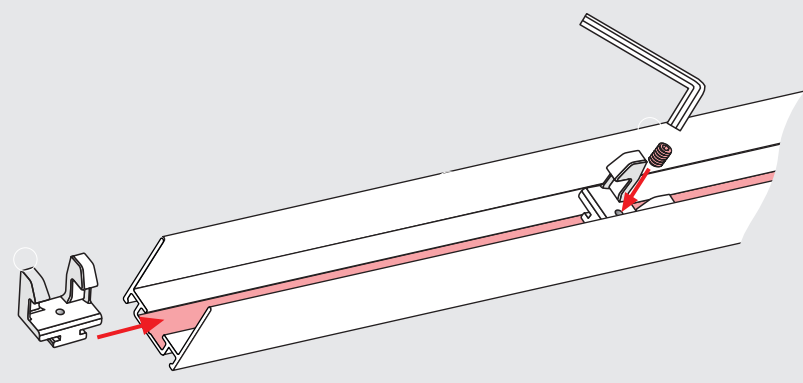
- D 1x
- D₂ 1x
- D₃ 1x
- D₄ 1x



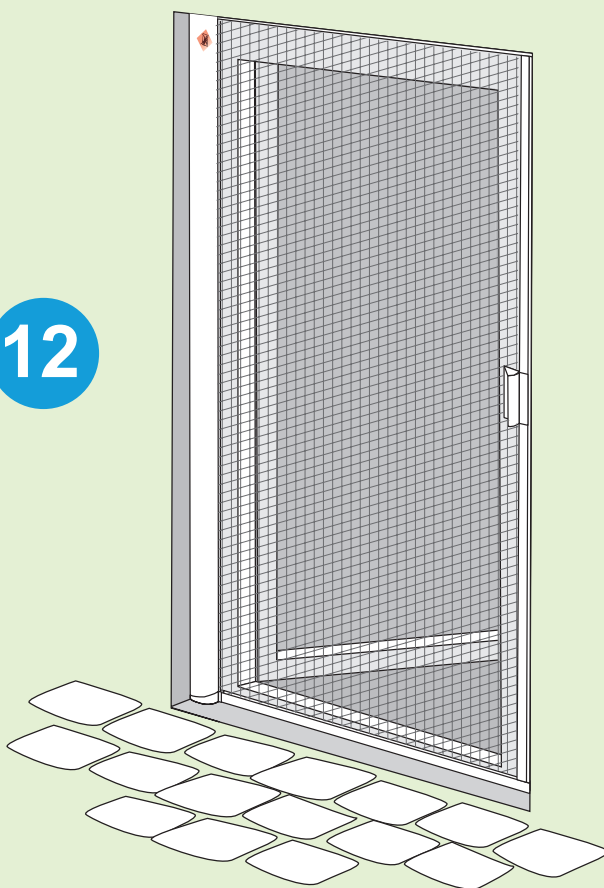
4-5 x

2

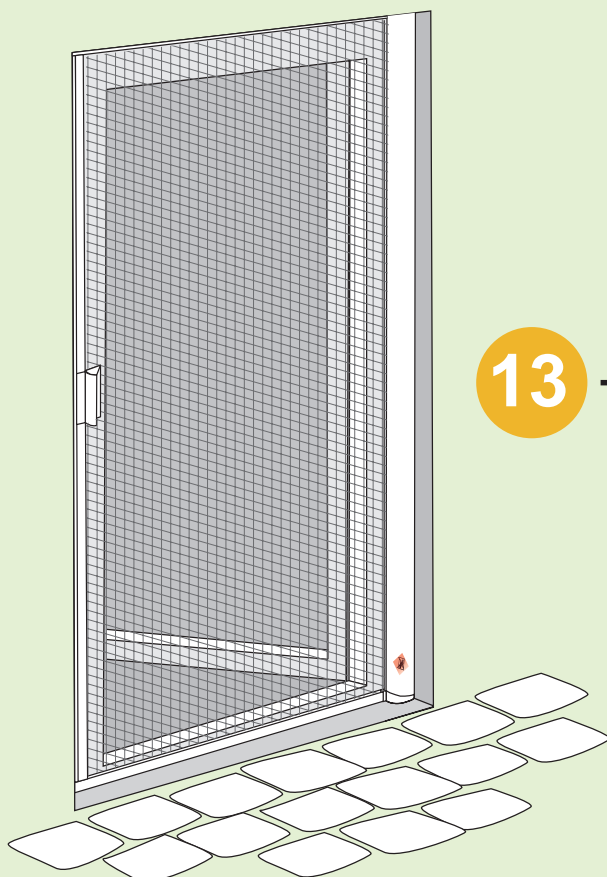
- B 1x
- K₃ 1x

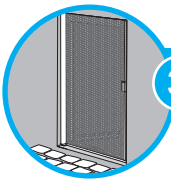


3 → 12



13 → 22

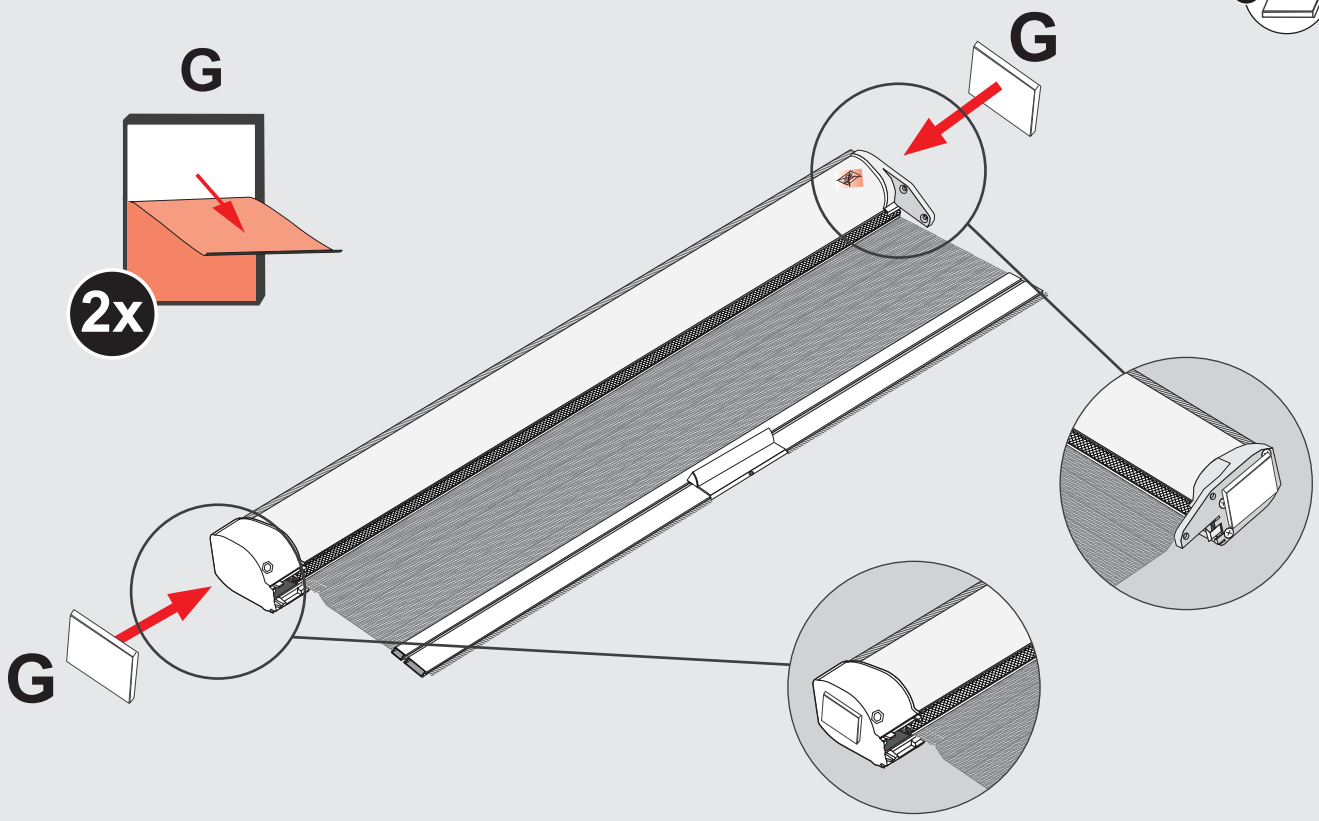




3 → 12

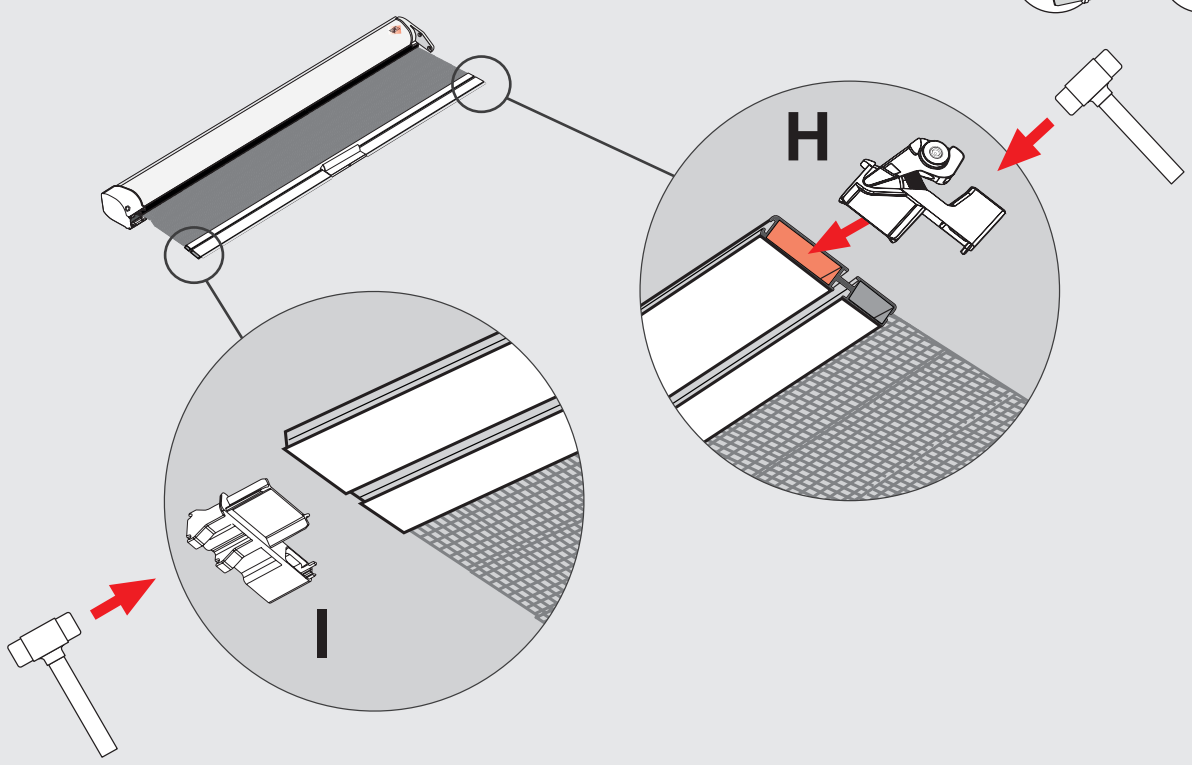
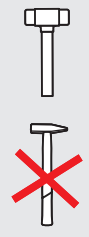
3

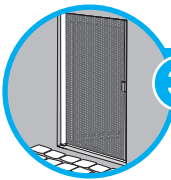
G
2x



4

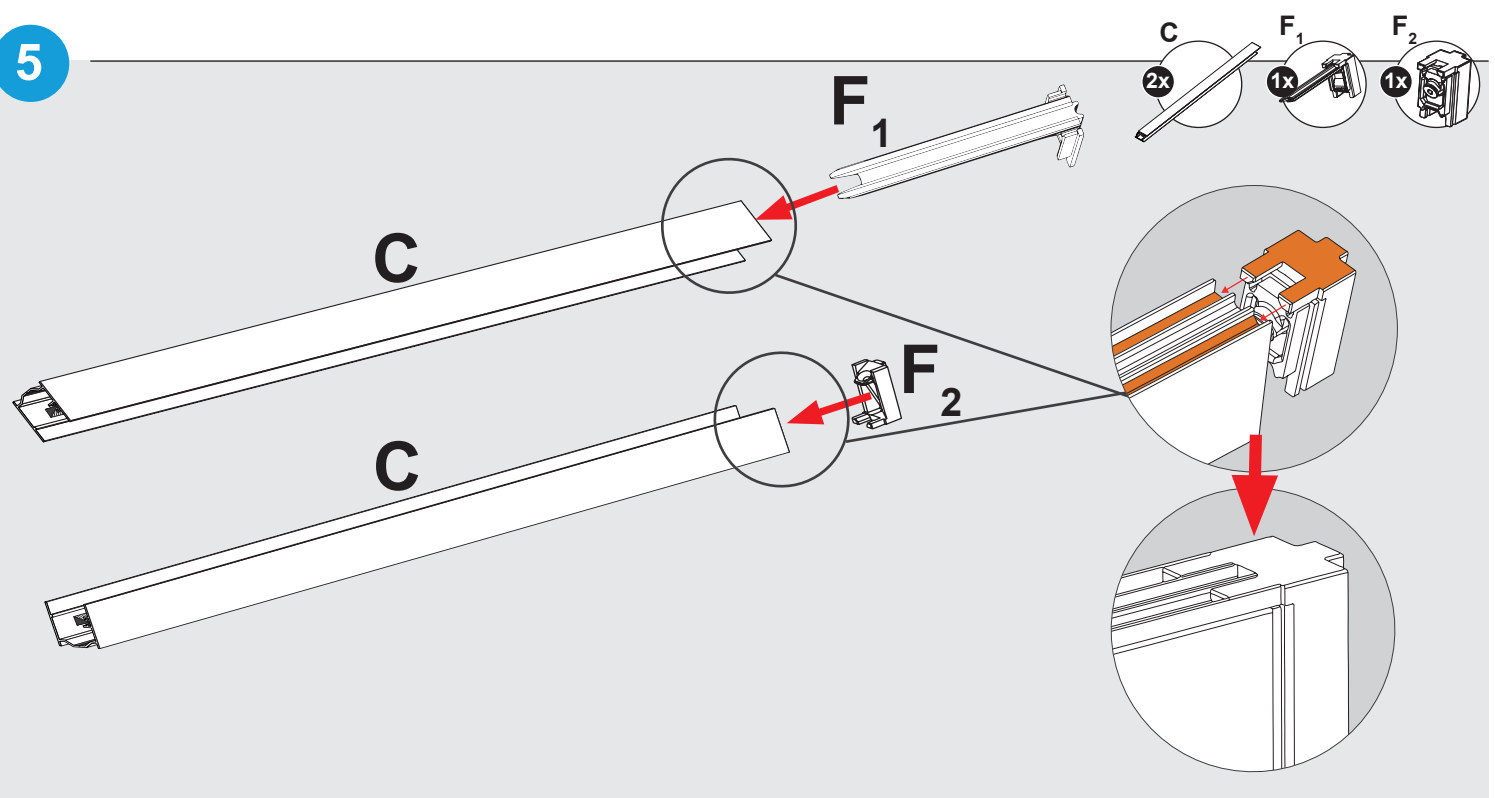
I
1x H
1x





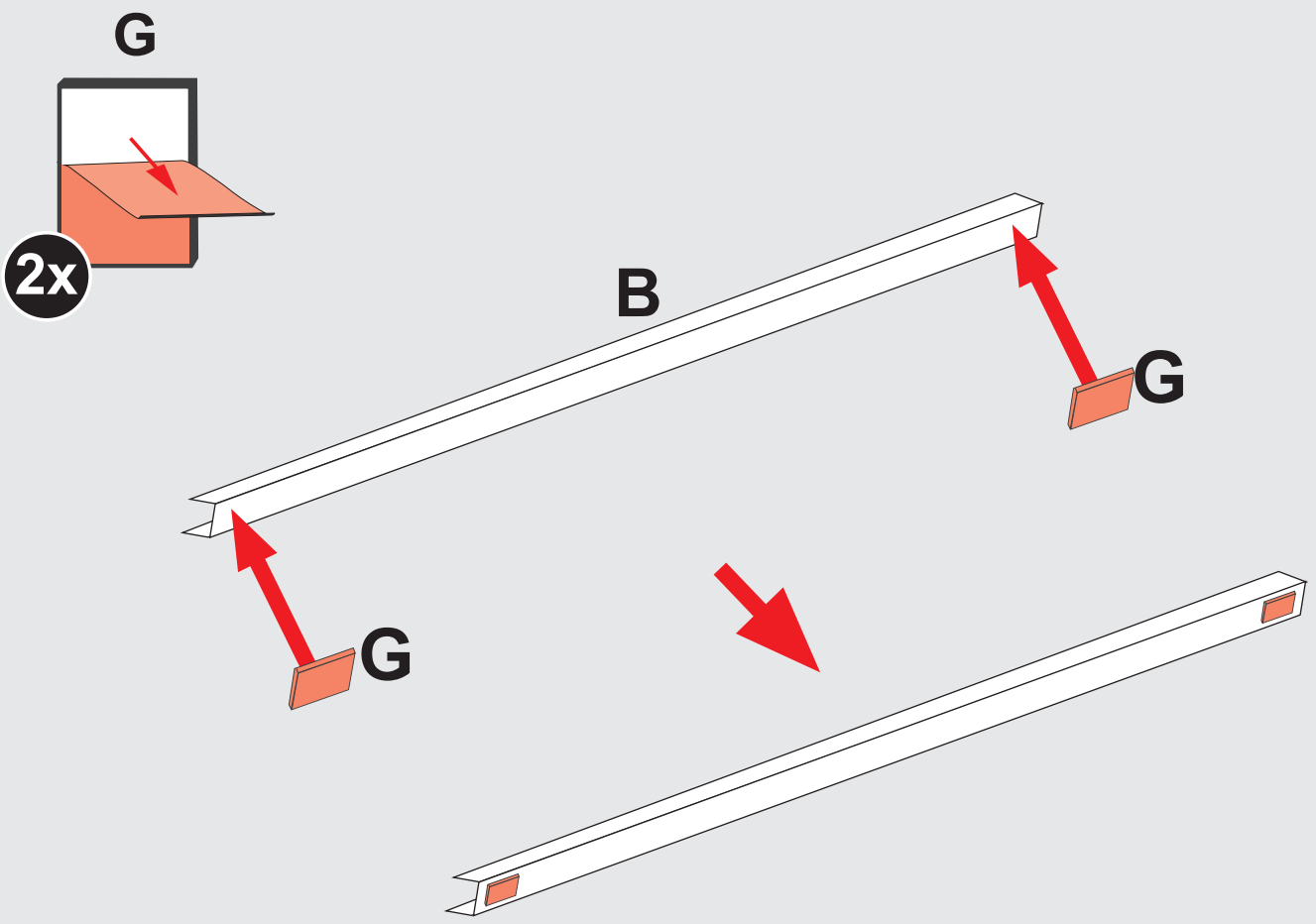
3 → 12

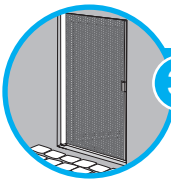
5



6

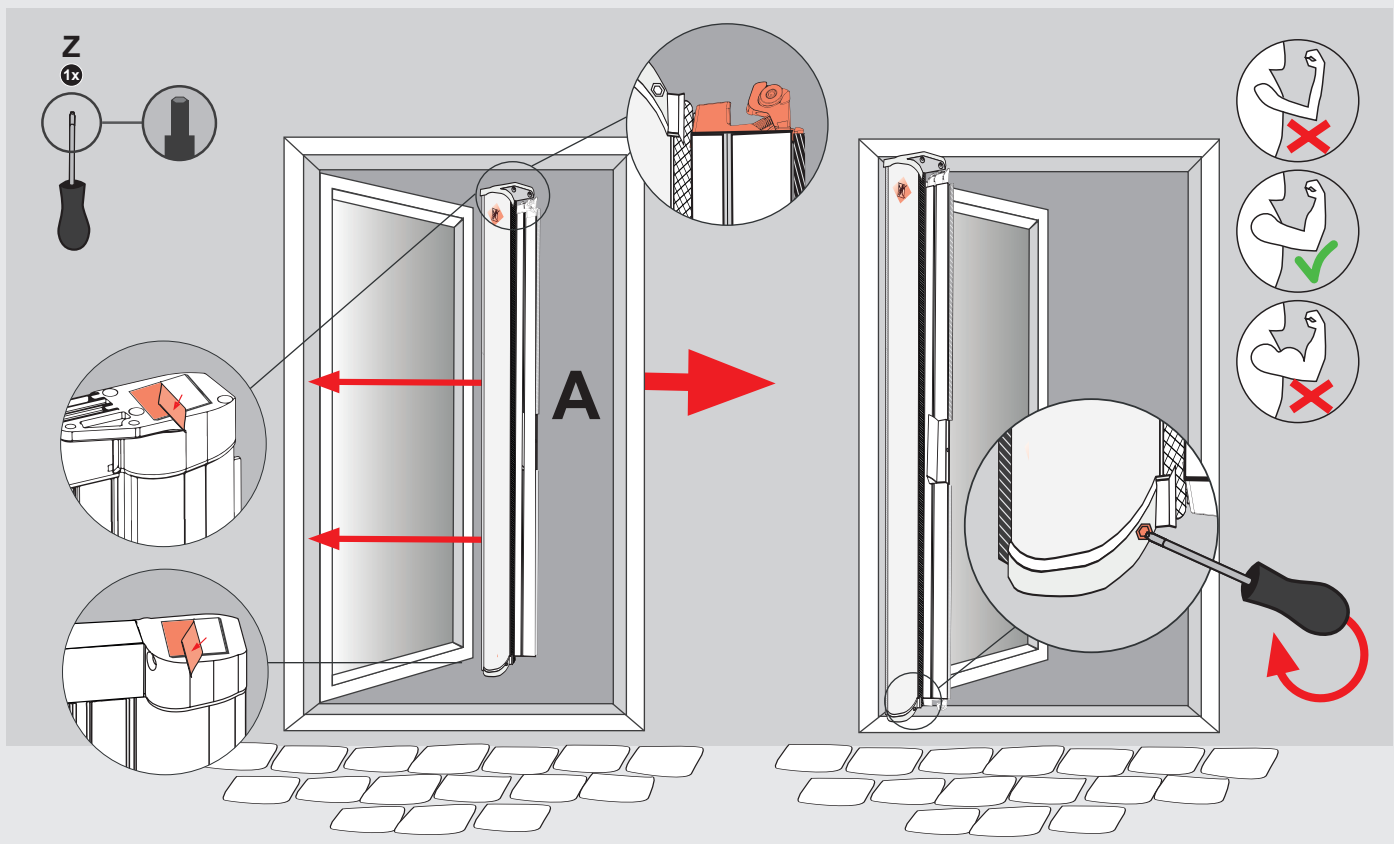
B 1x G 2x





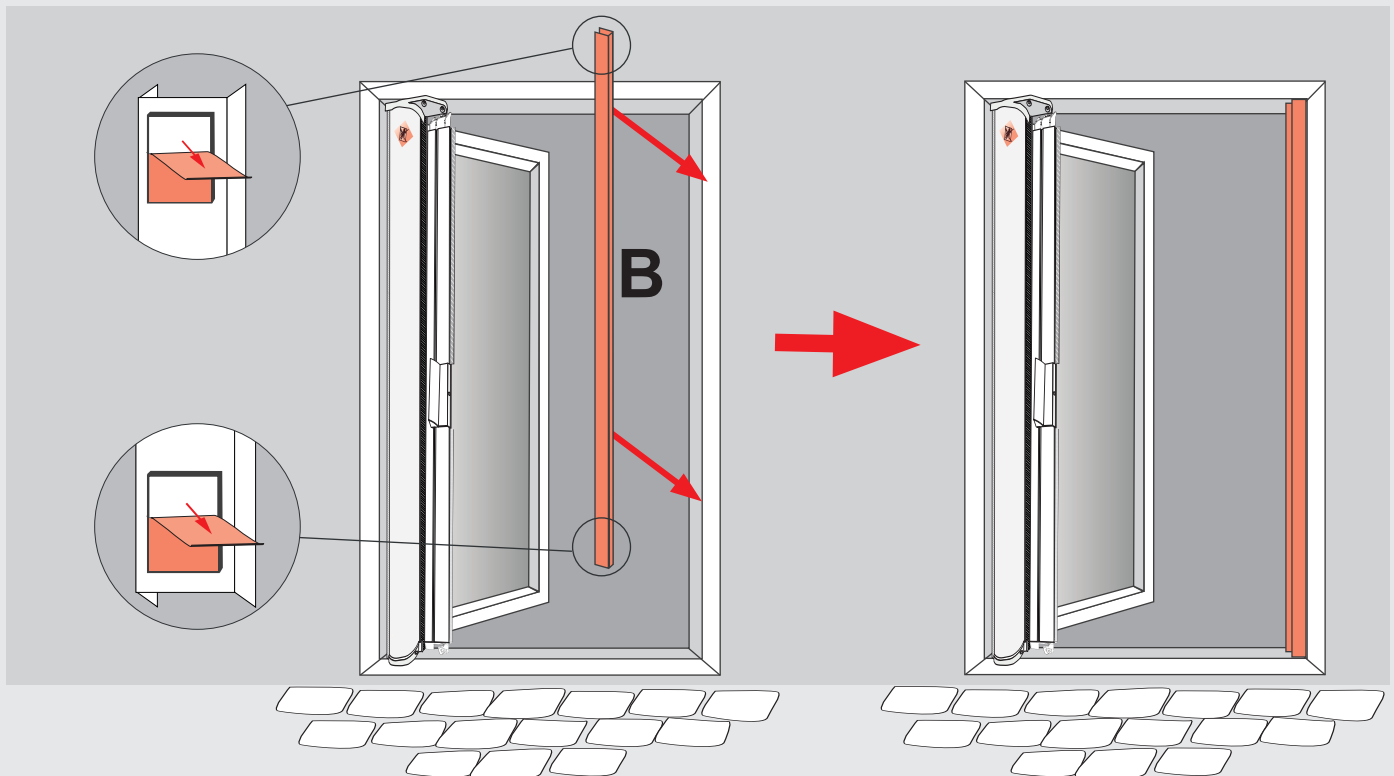
3 → 12

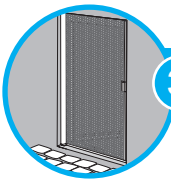
7



8

B&G

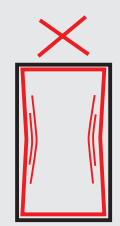
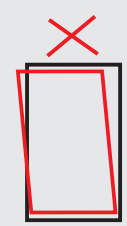
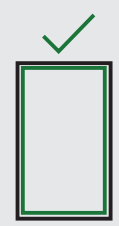
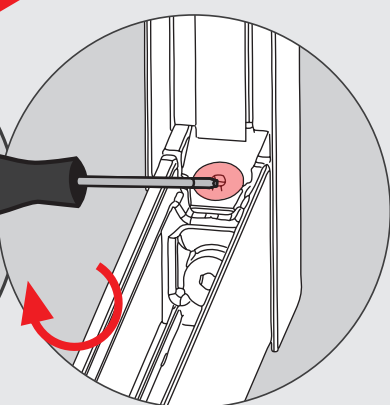
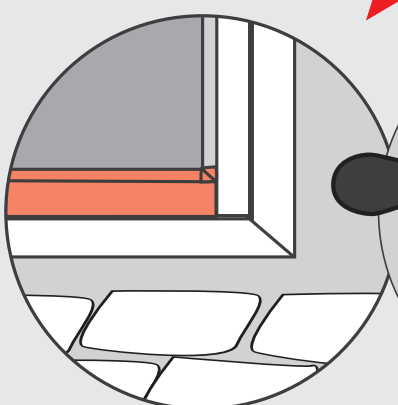
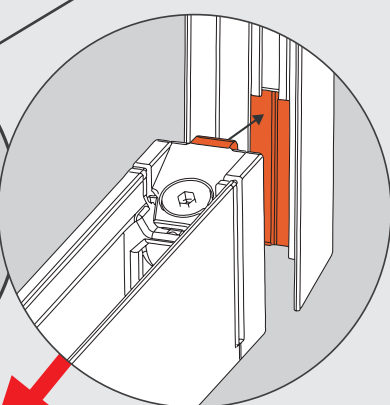
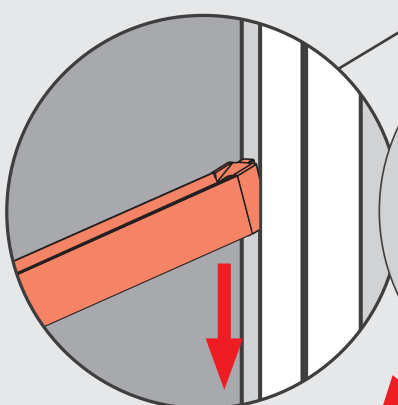
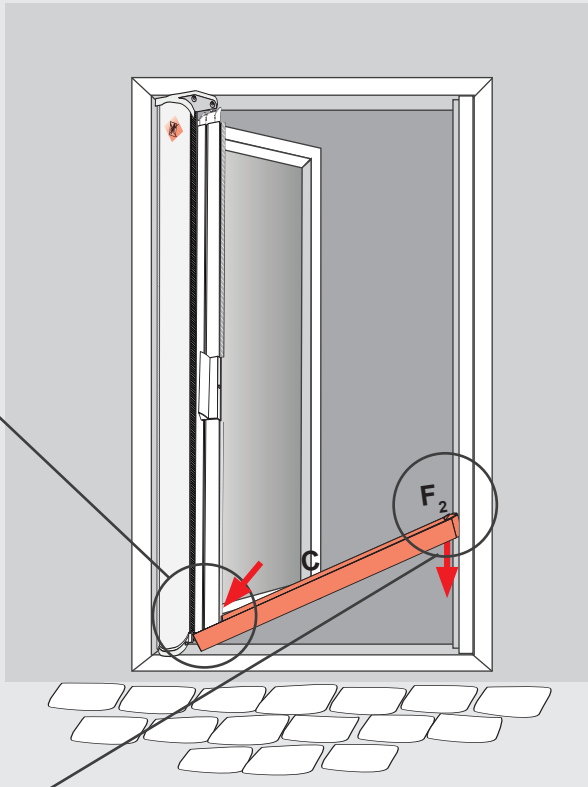
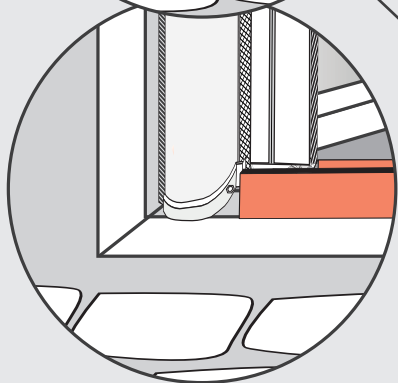
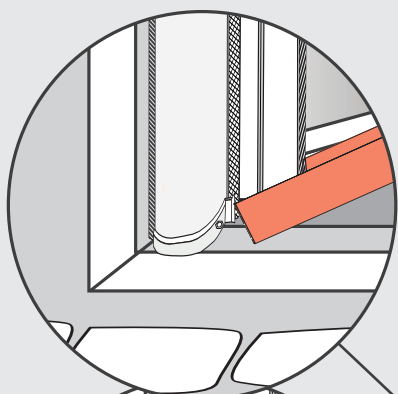
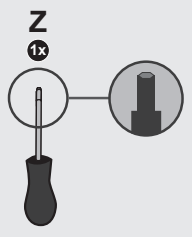


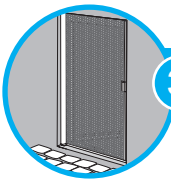


3 → 12

9

C&F₂



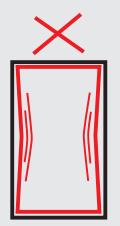
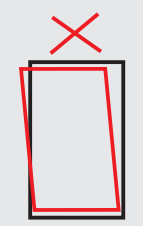
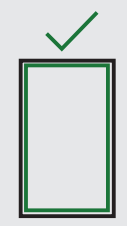
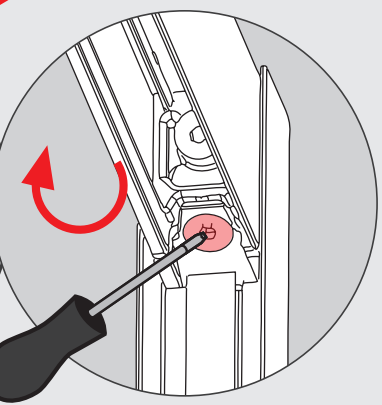
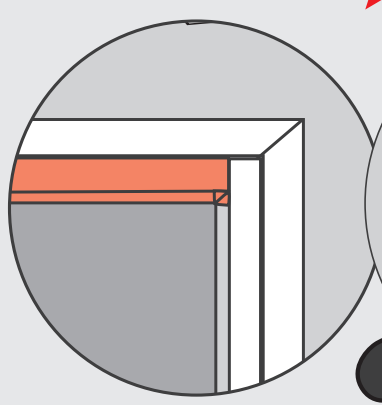
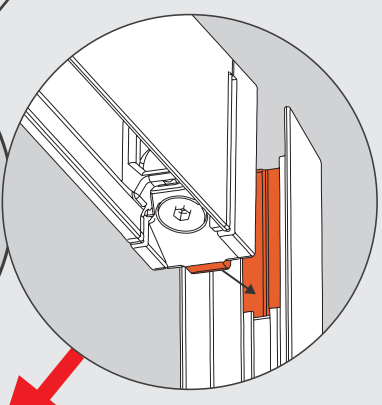
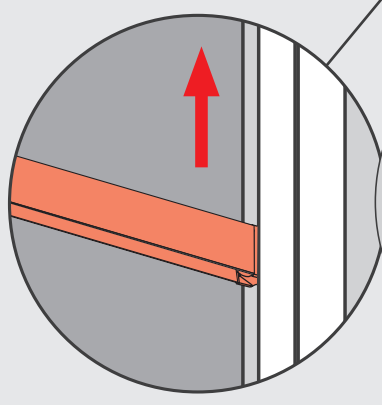
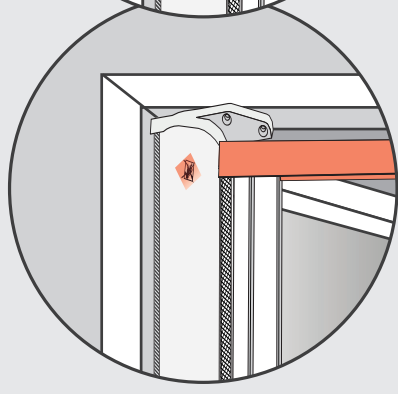
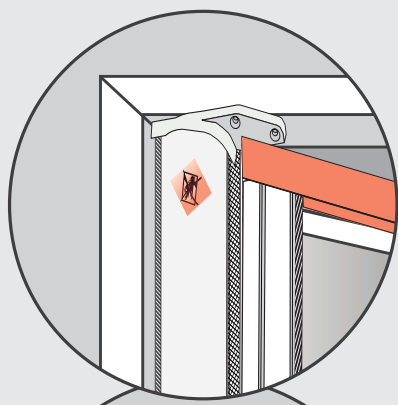
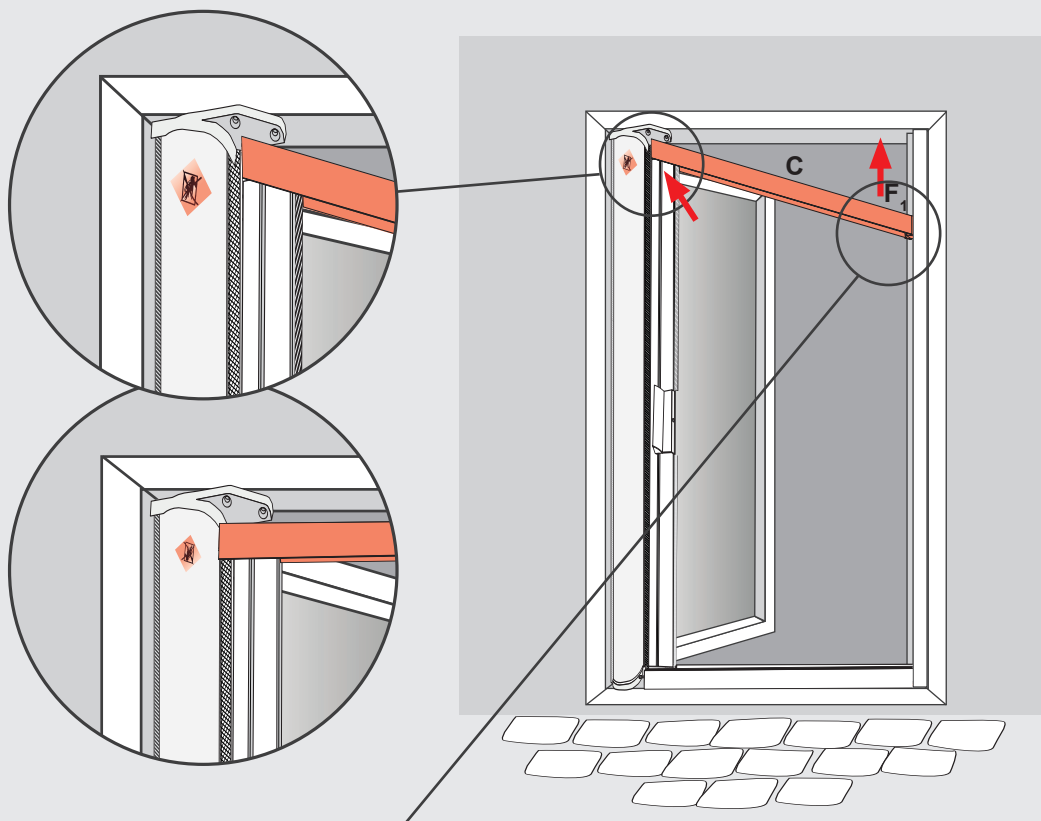
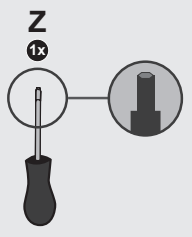
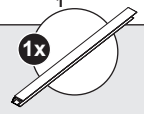


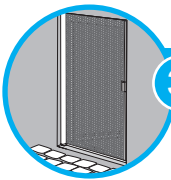
3 → 12

10

C&F₁

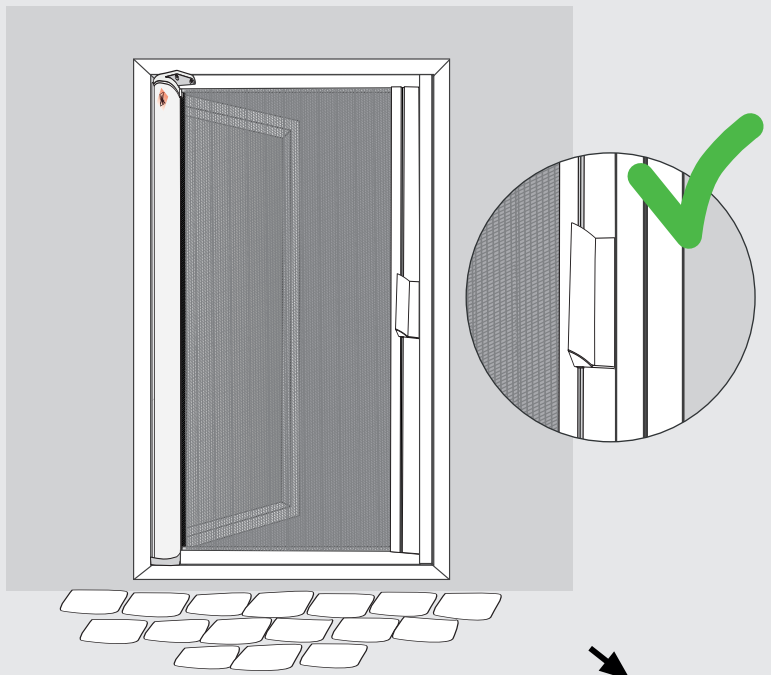
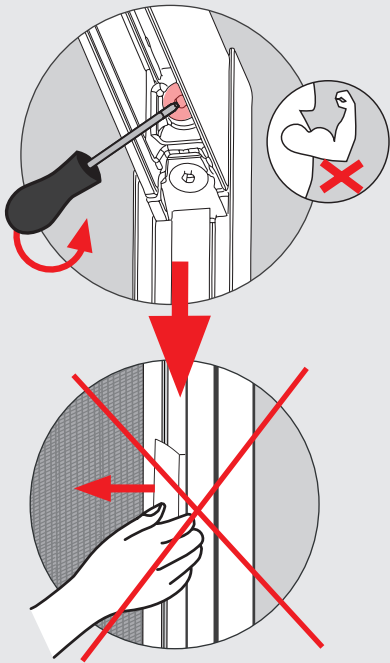
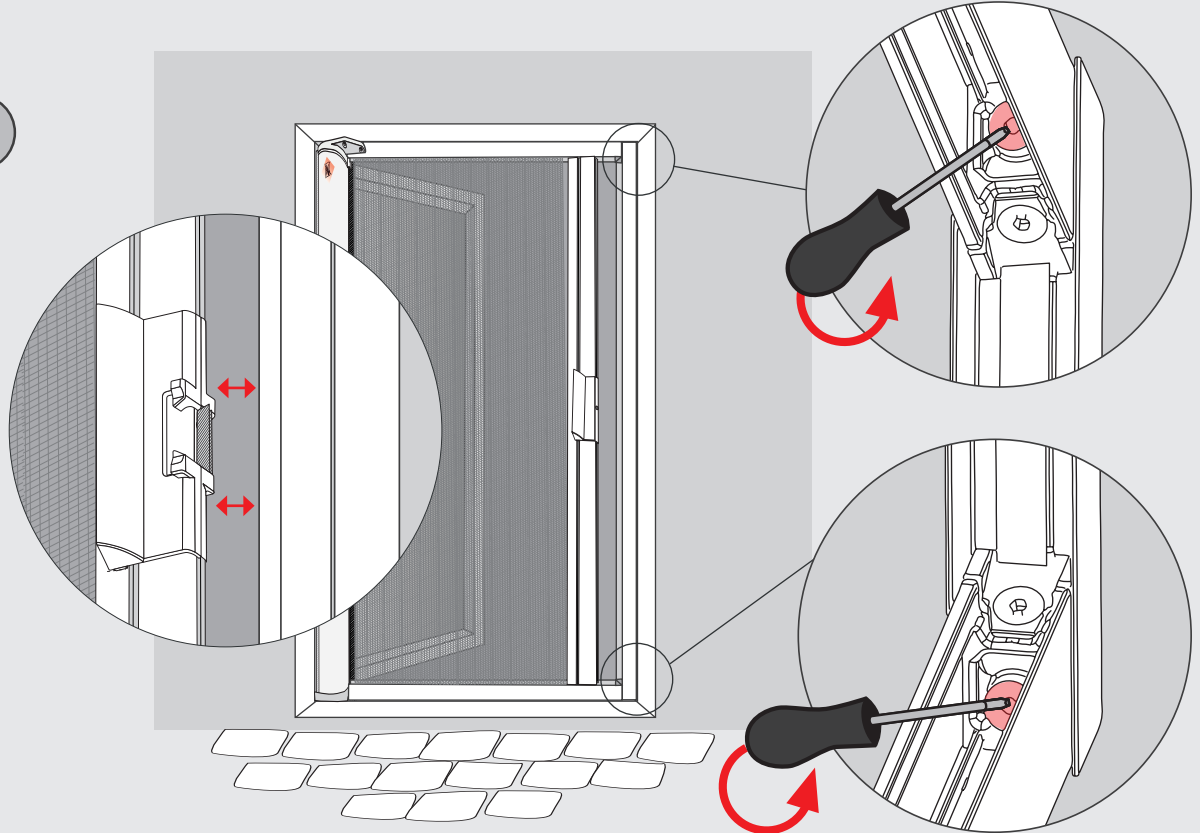
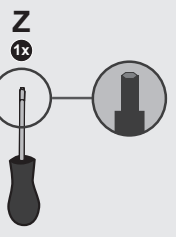
1x

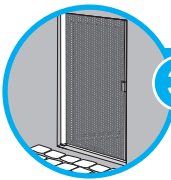




3 → 12

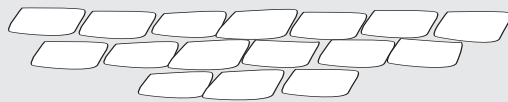
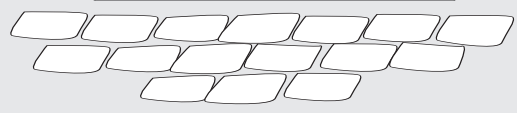
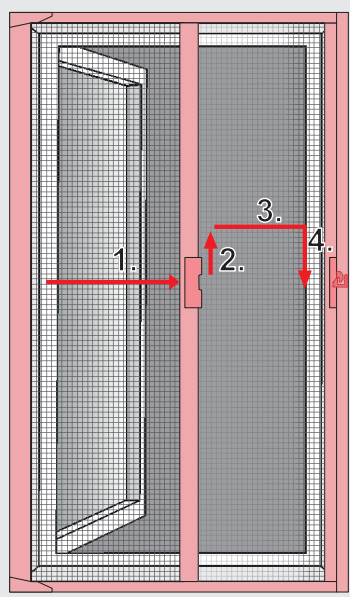
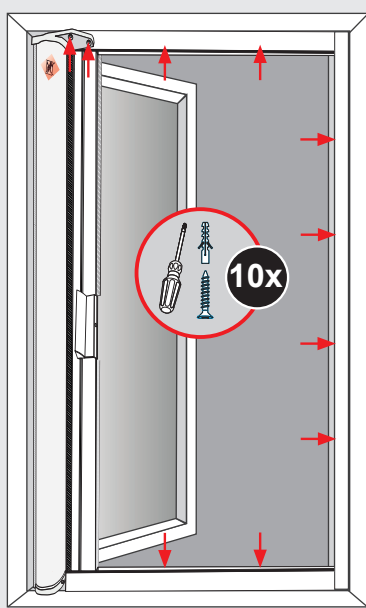
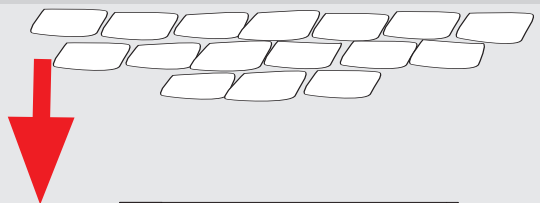
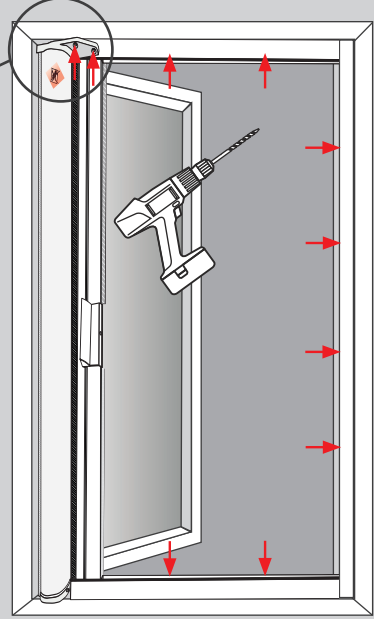
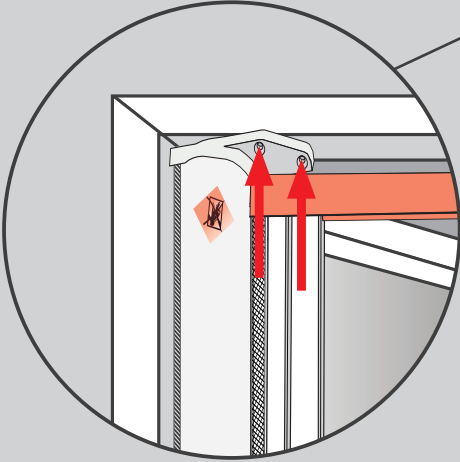
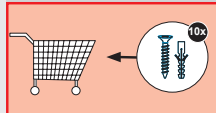
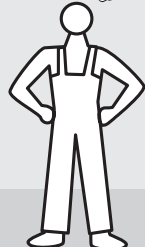
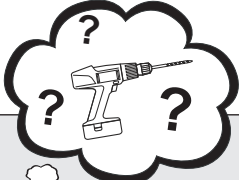
11

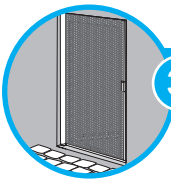




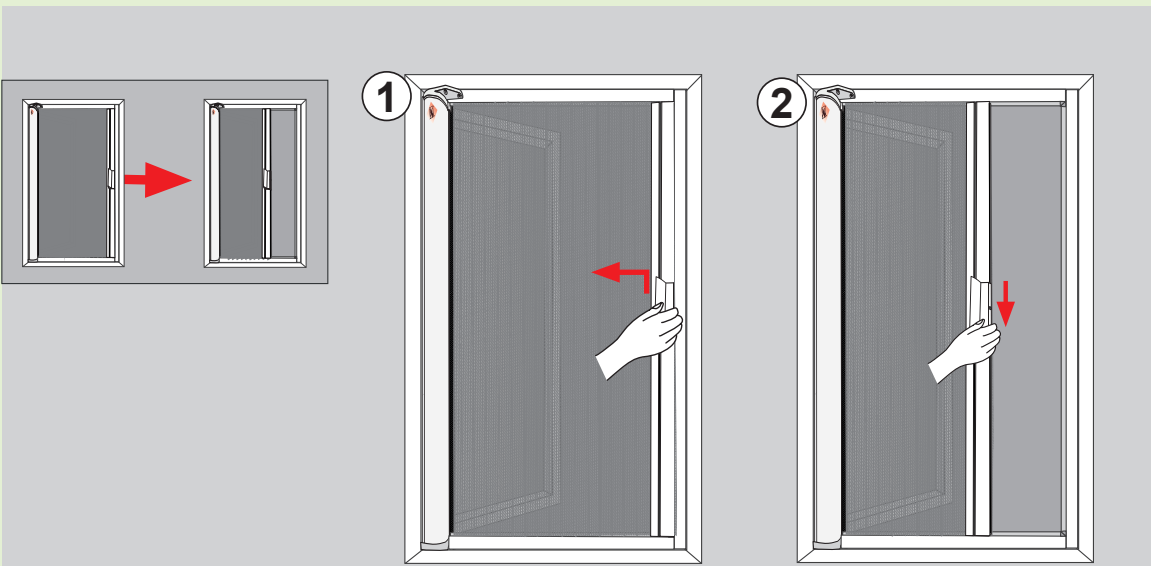
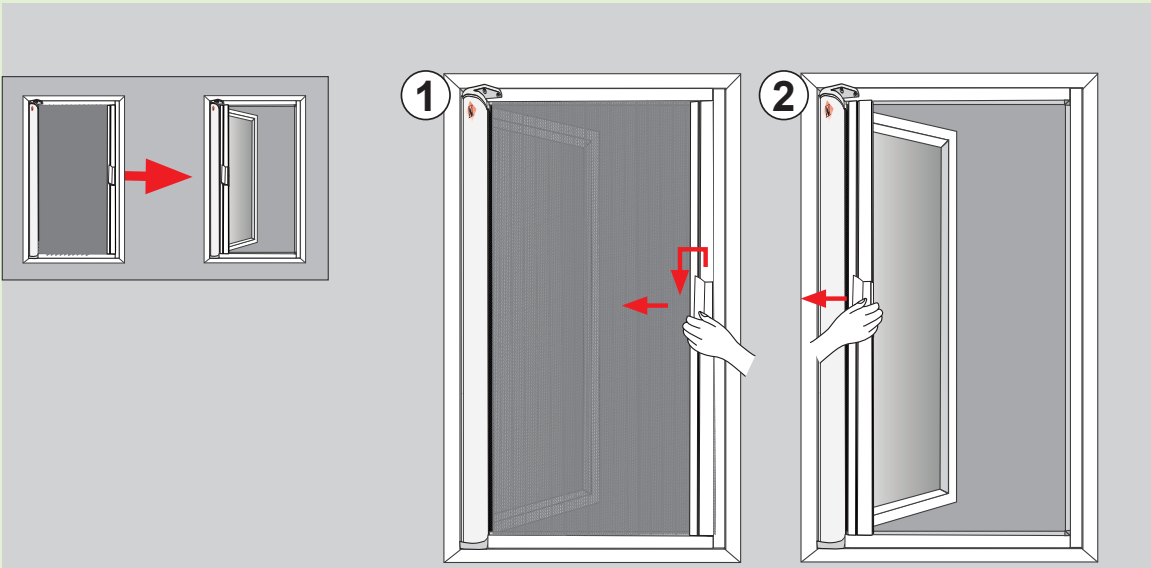
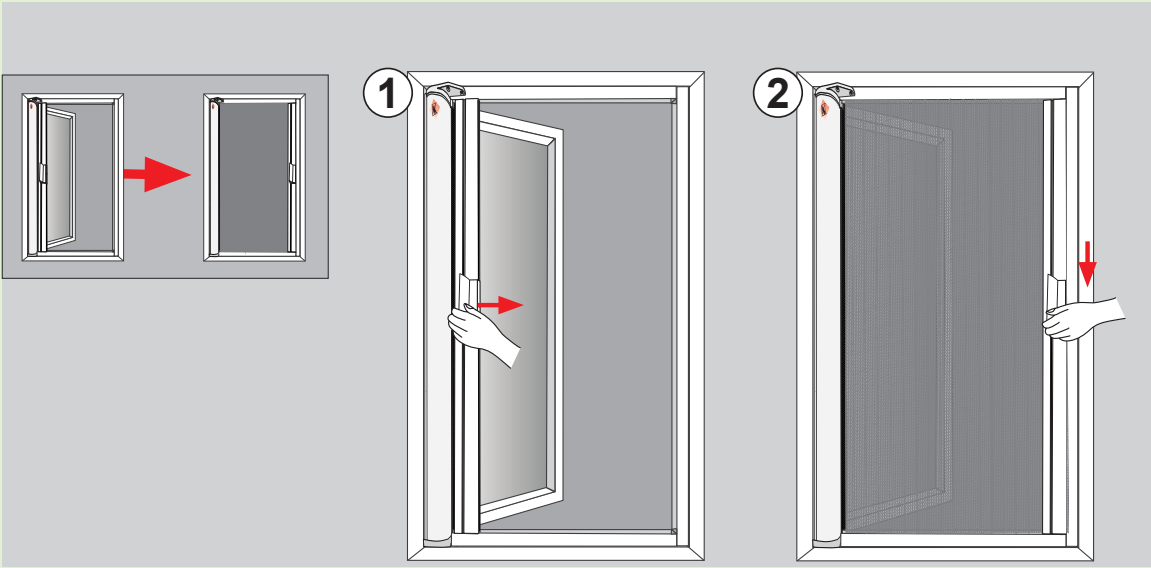
3 → 12

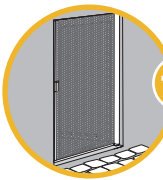
12





i

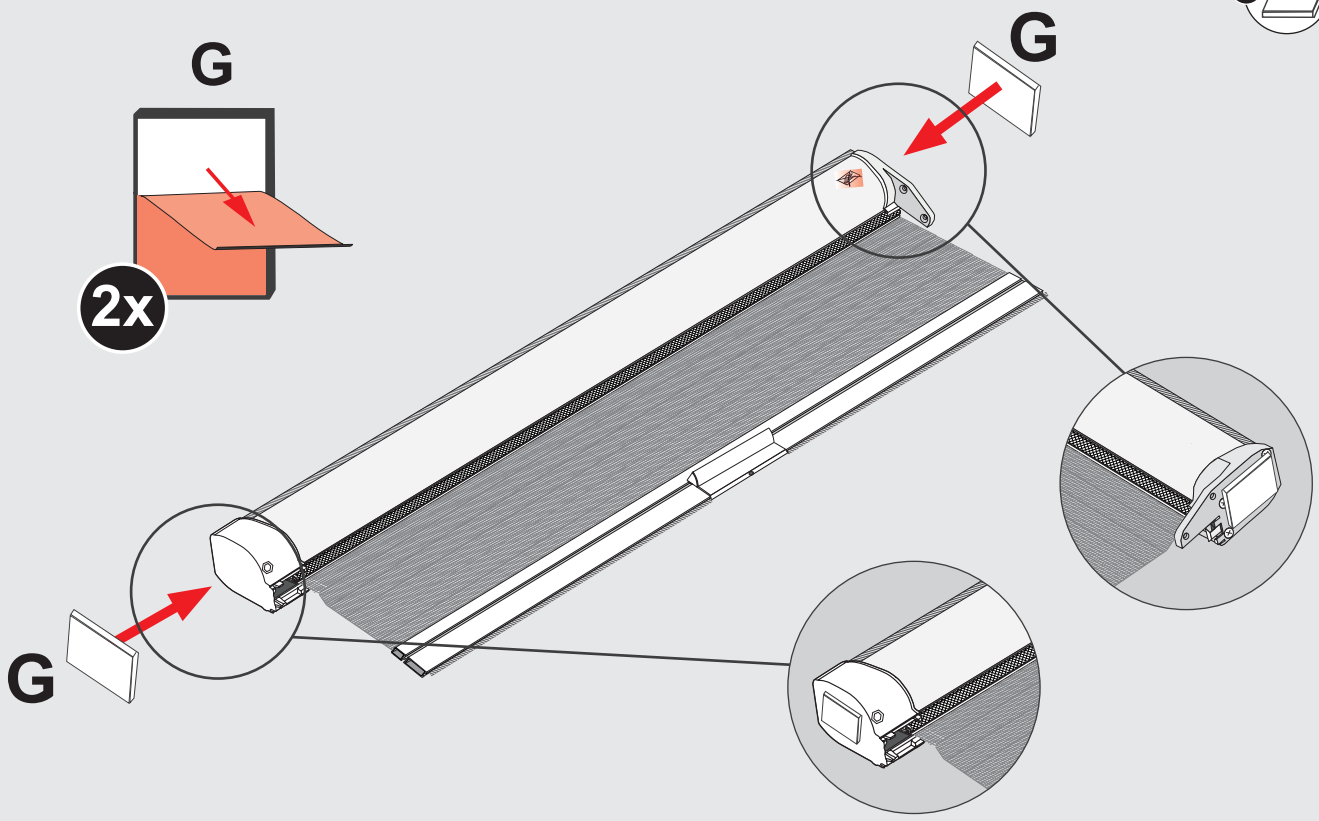




13 → 22

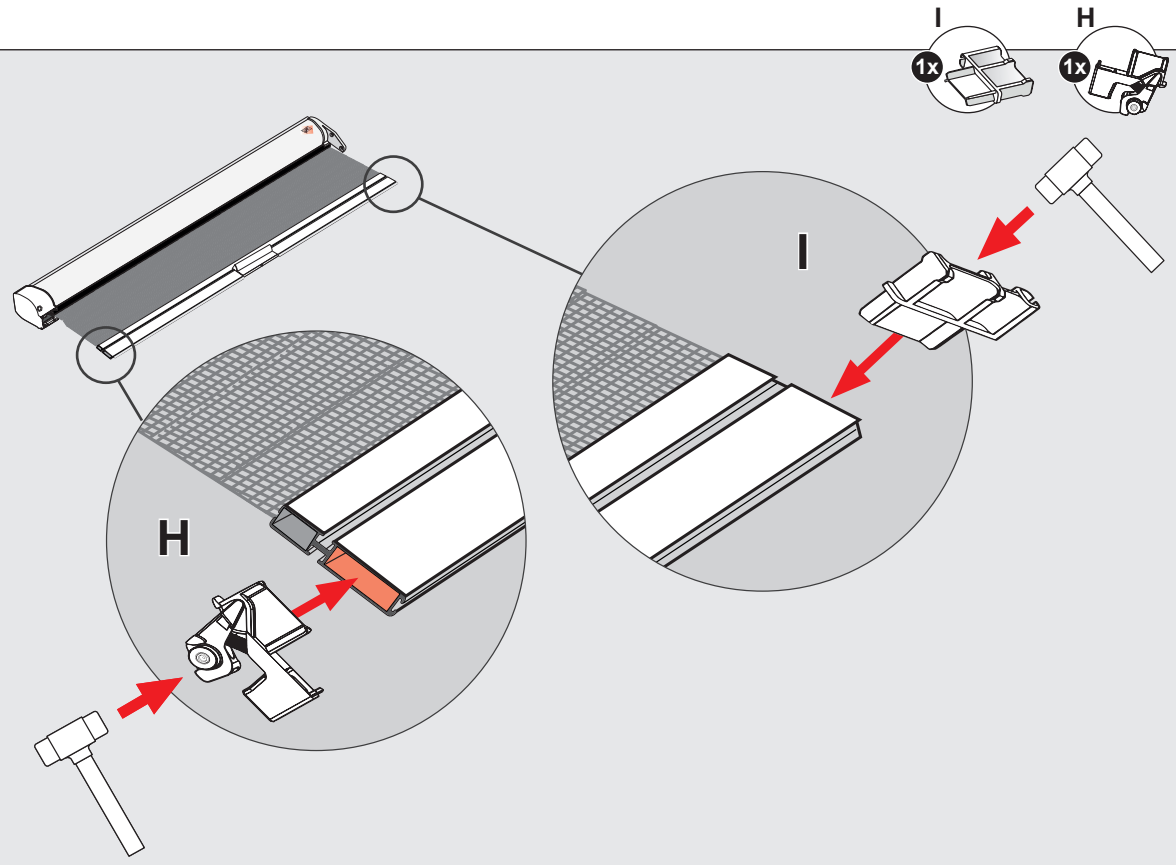
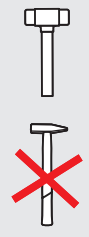
13

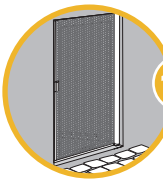
G
2x



14

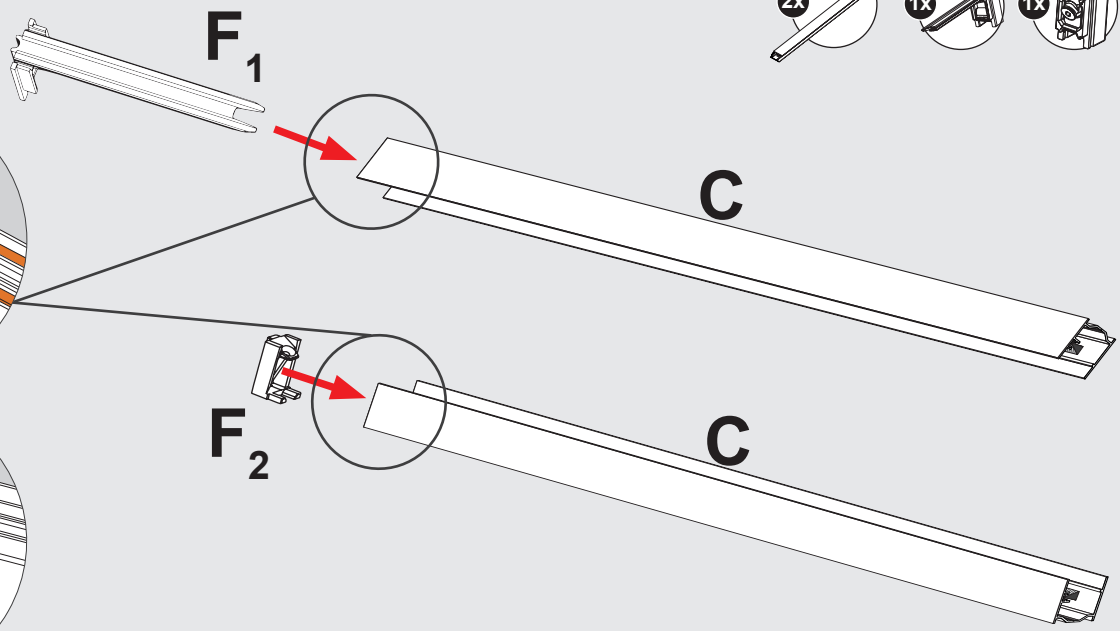
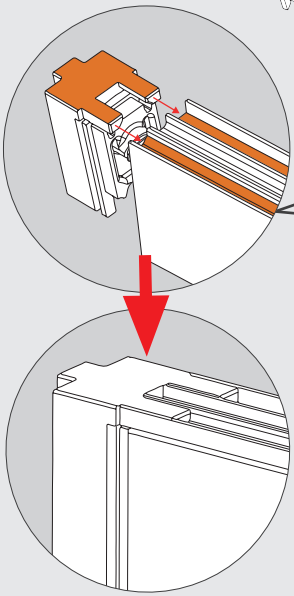
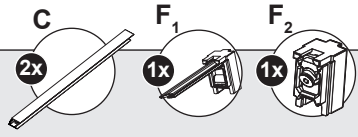
I
1x H
1x



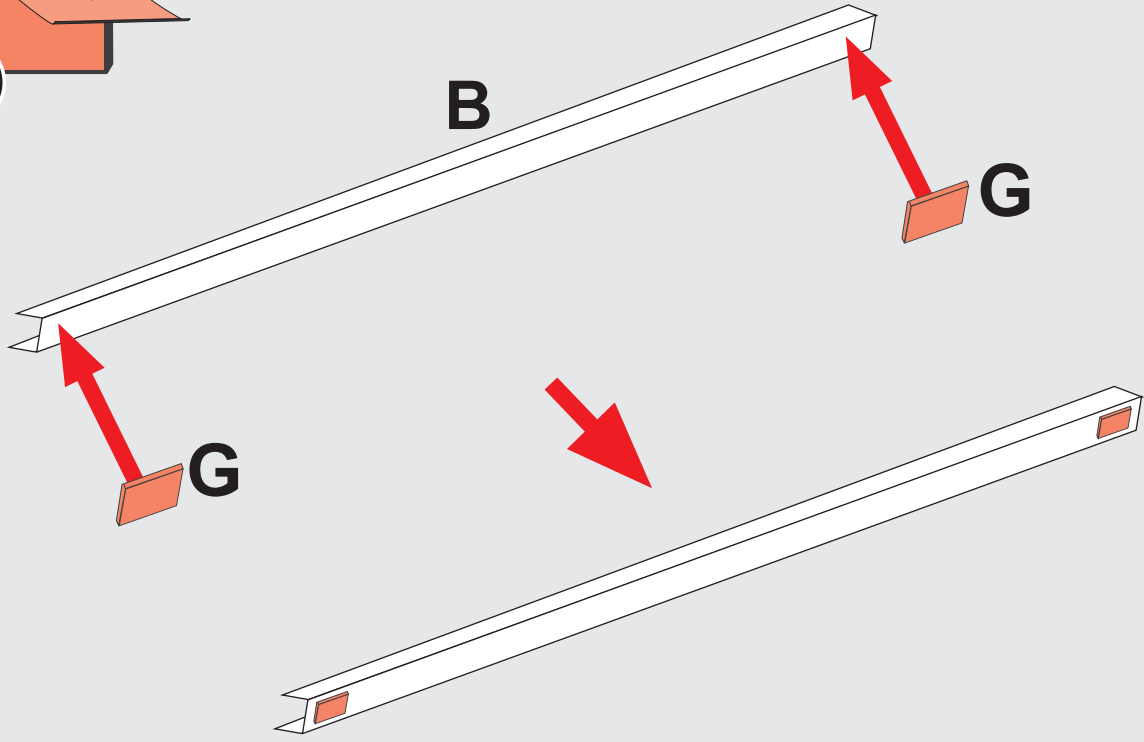
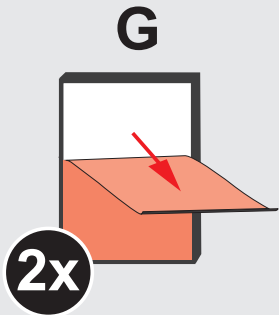
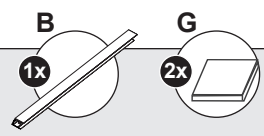


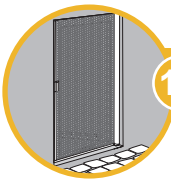
13 → 22

15



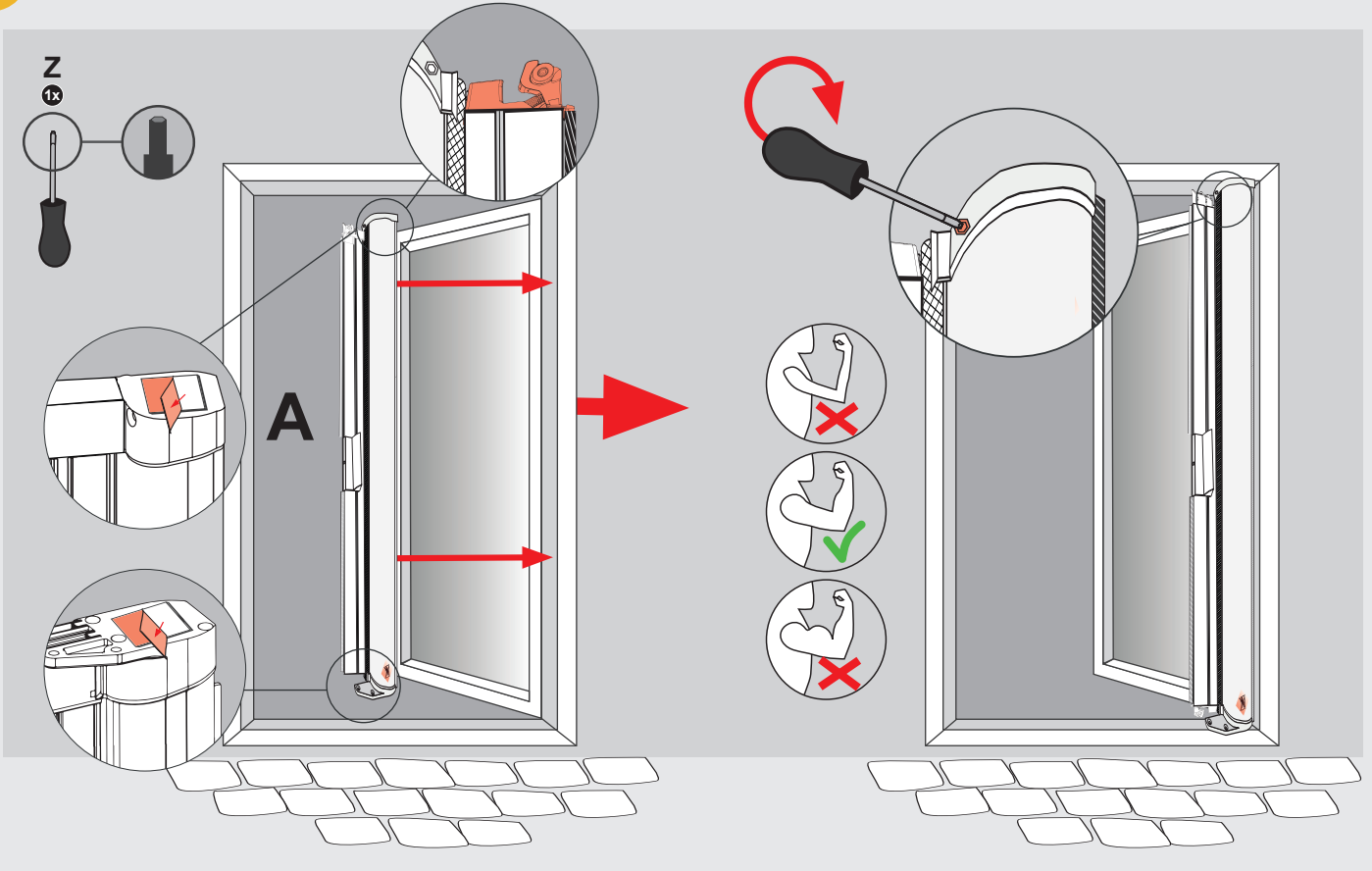
16





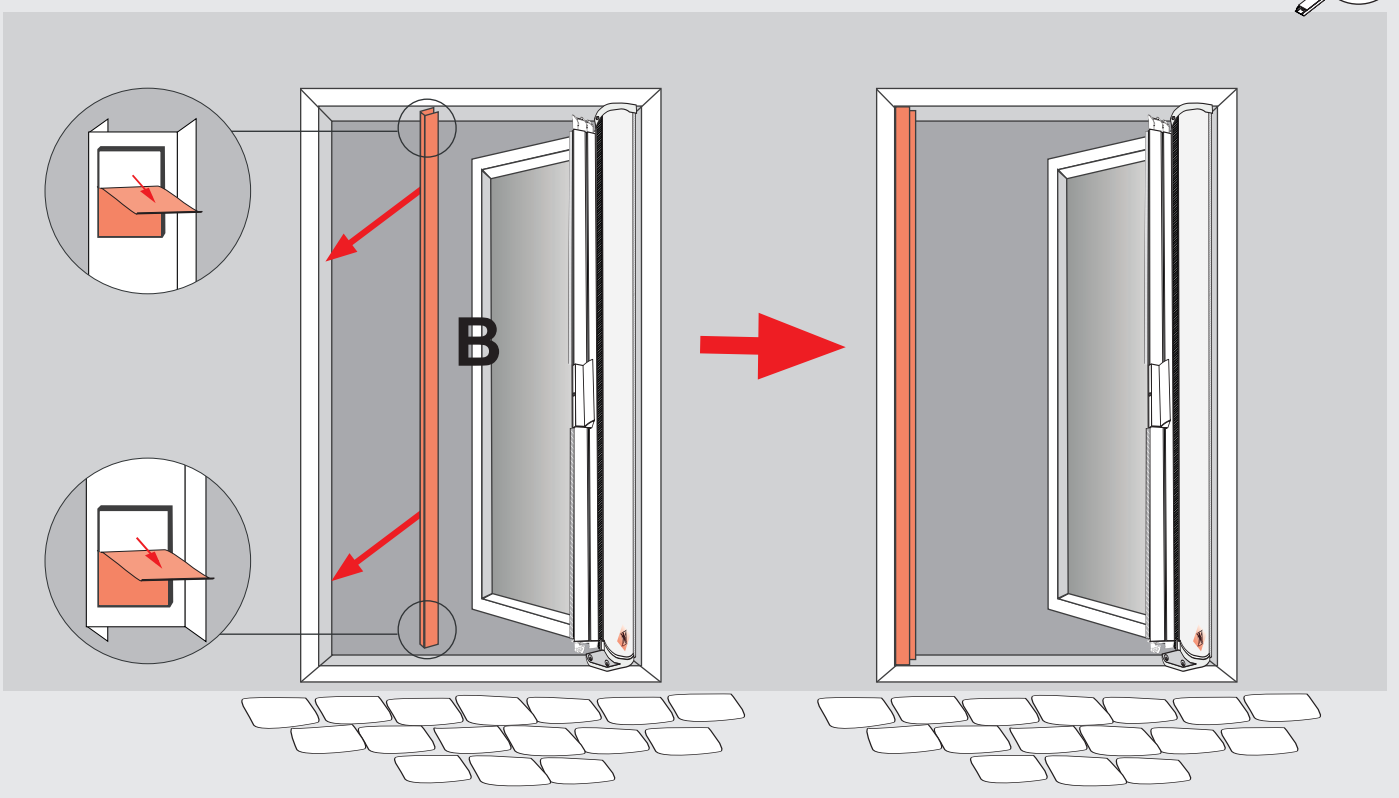
13 → 22

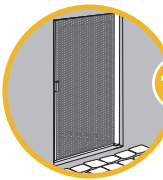
17



18

B&G
1x



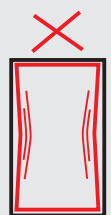
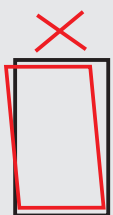
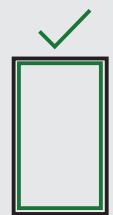
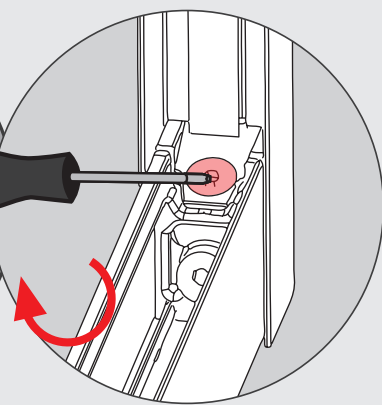
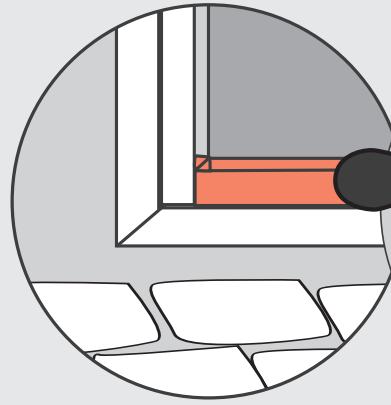
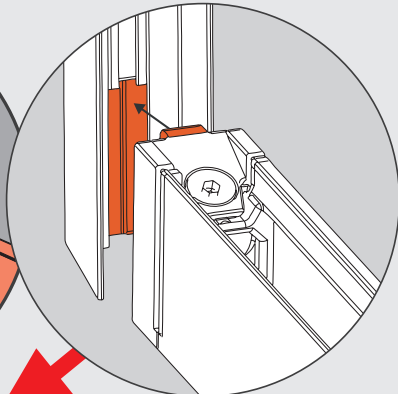
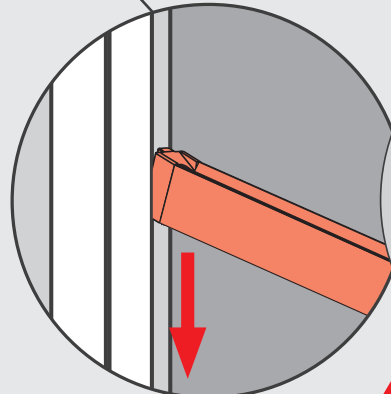
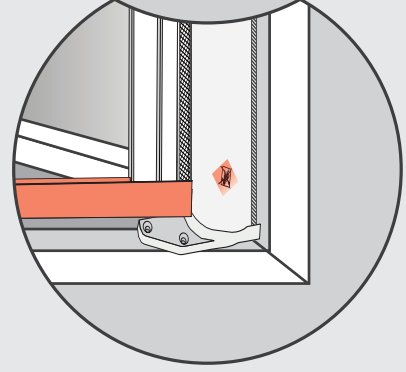
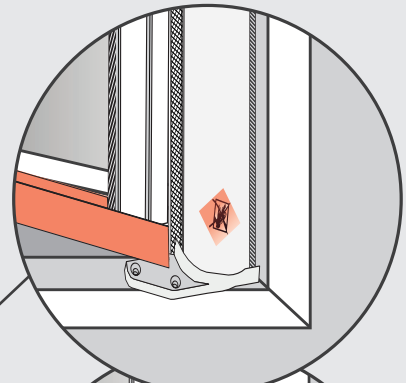
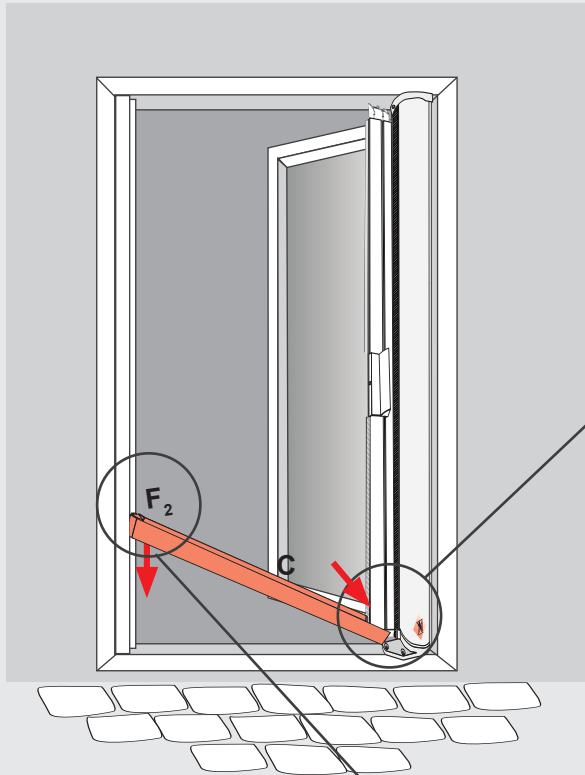
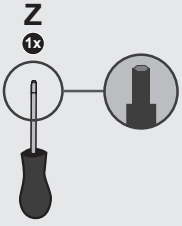
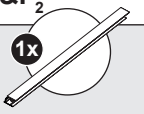


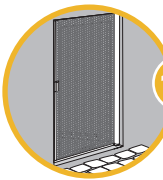
13 → 22

19

C&F₂

1x



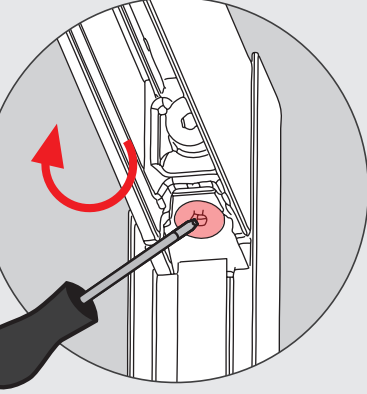
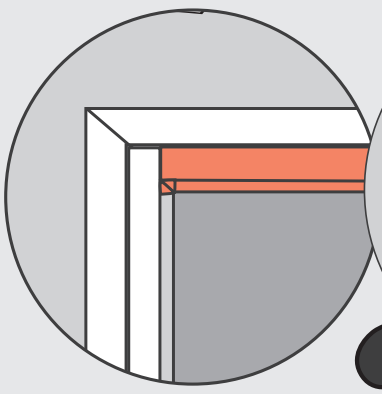
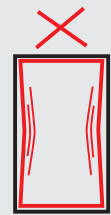
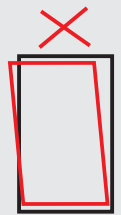
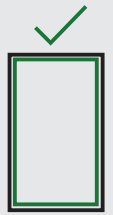
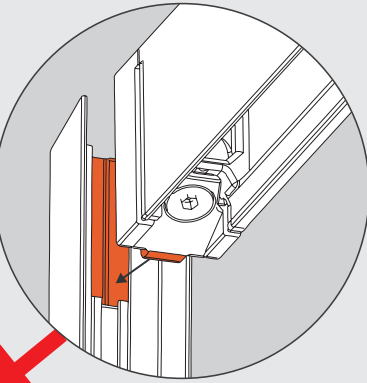
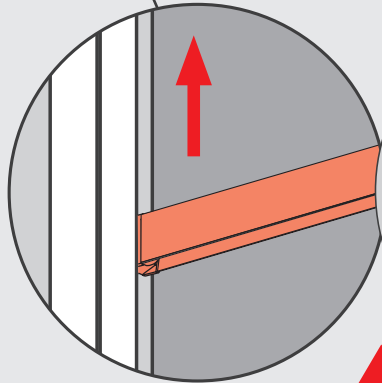
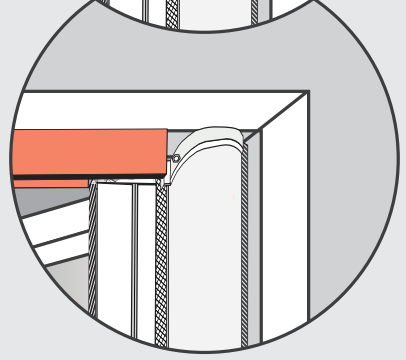
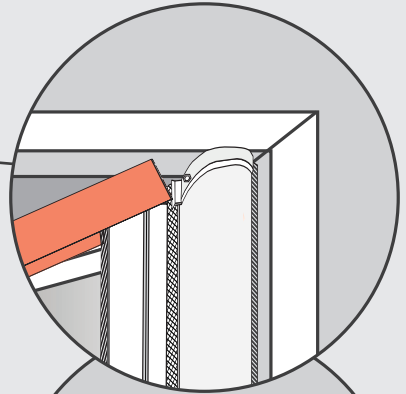
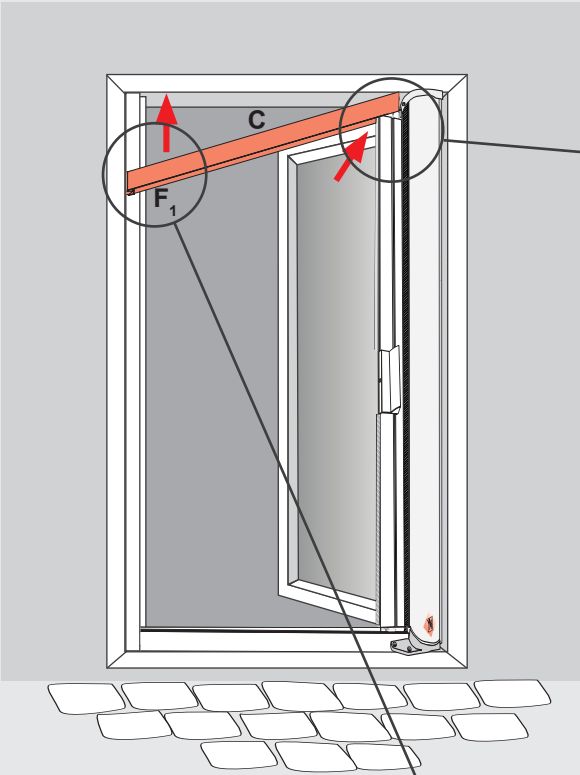
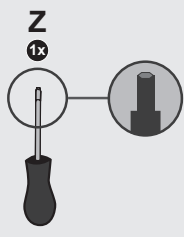


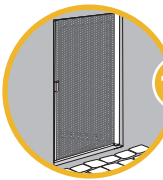
13 → 22

20

C&F₁

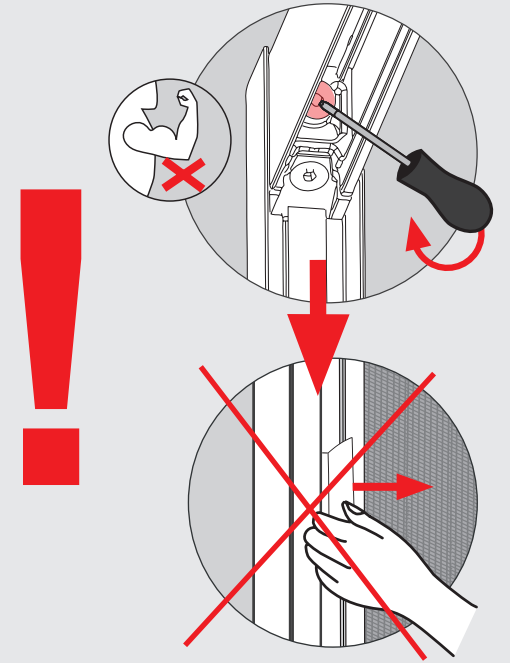
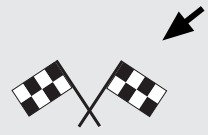
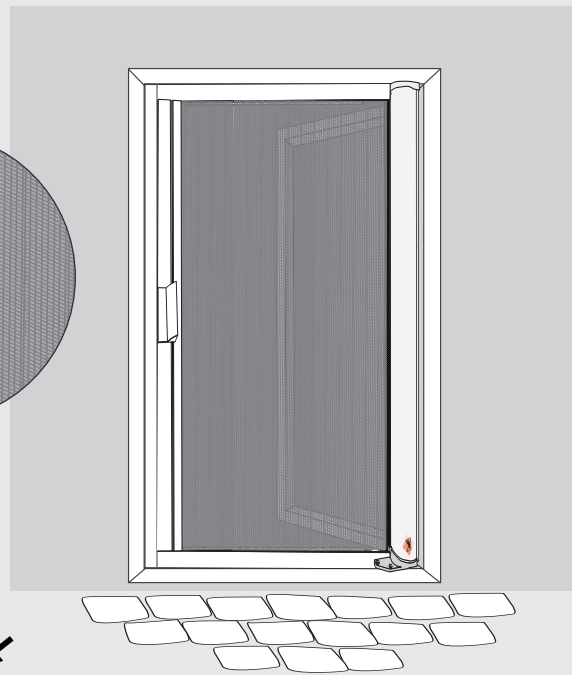
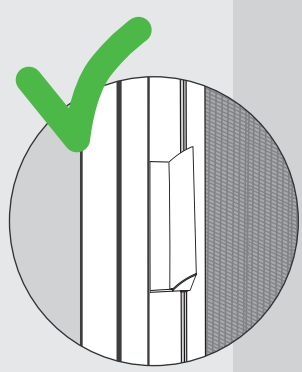
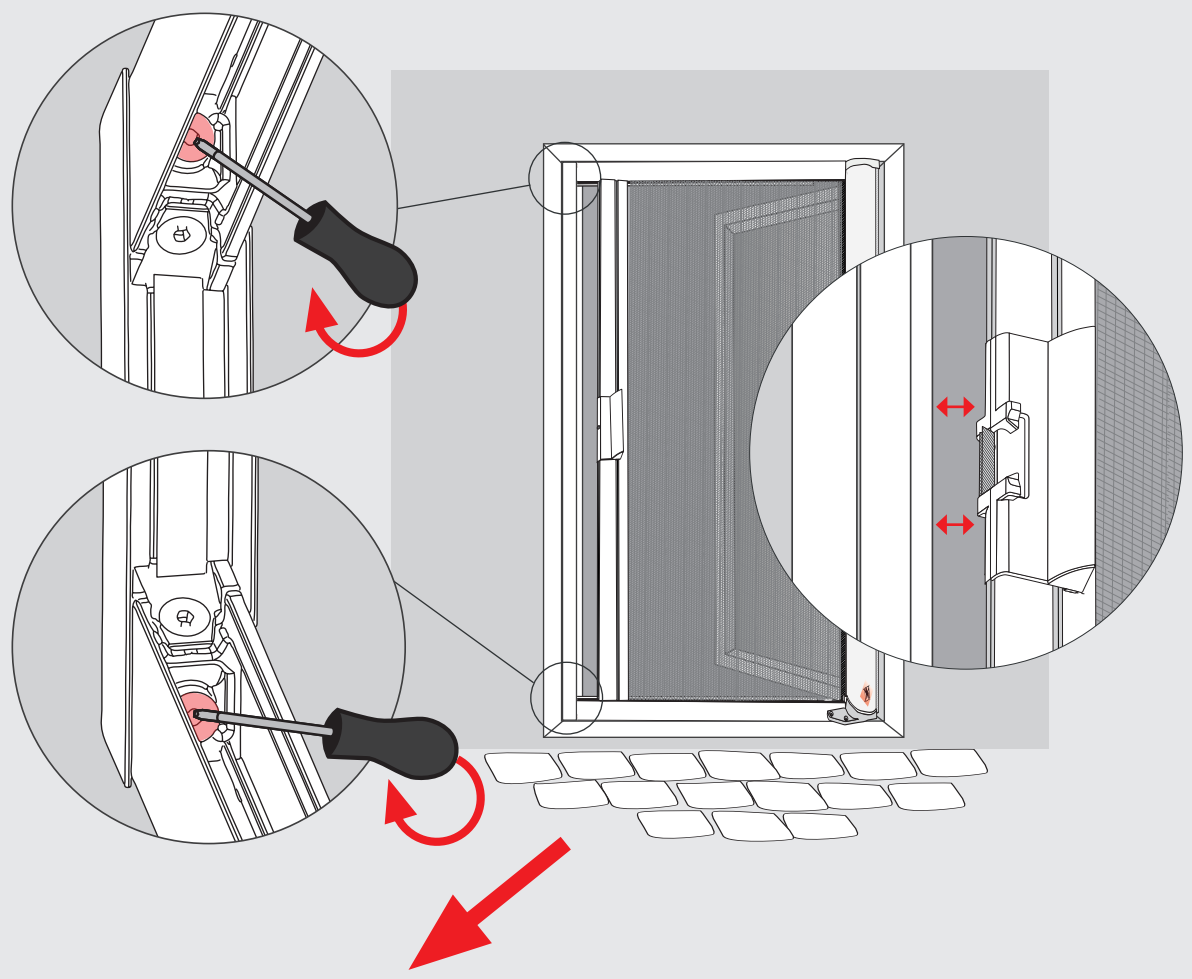
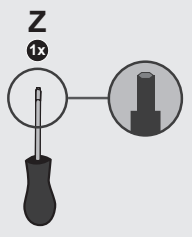
1x

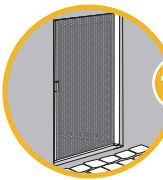




13 → 22

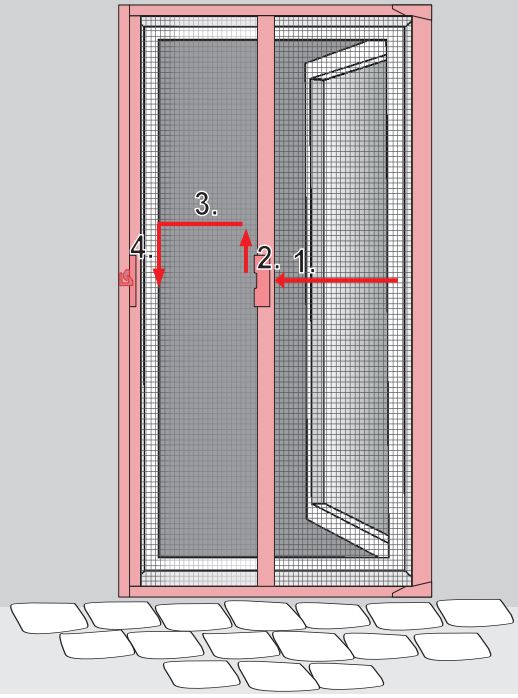
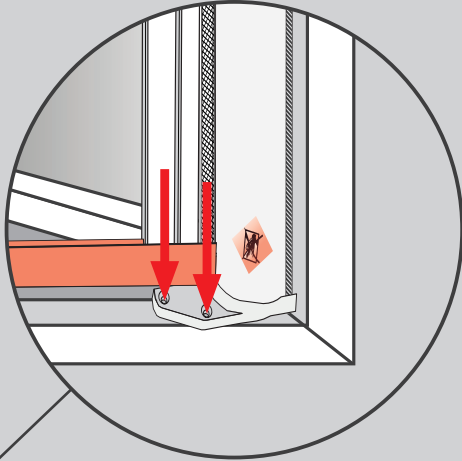
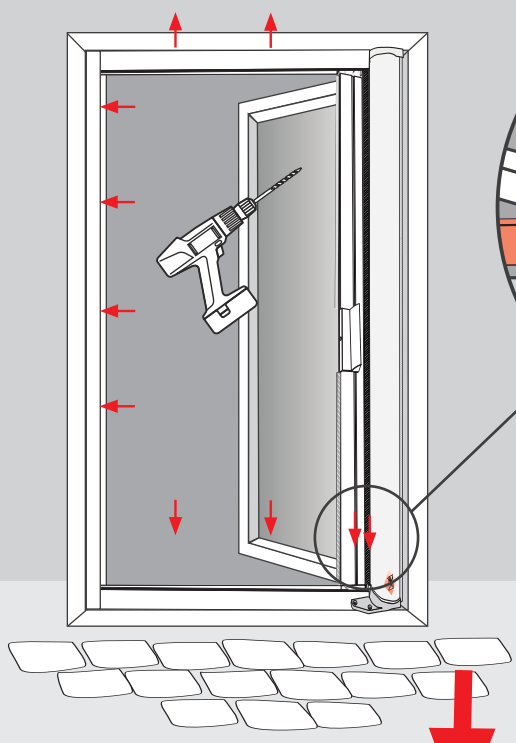
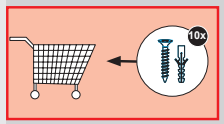
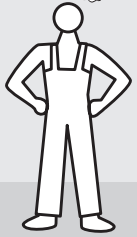
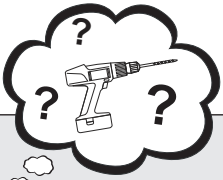
21

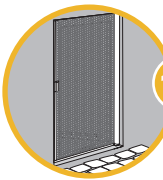




13 → 22

22





i

