

# P

Paulmann

## Safety Instructions



0,1,2,4,6,7,8,9,11,  
15,20,22,26,27.



Info Hotline 

+49 (0) 5041 998 389

Mon. - Do. 7<sup>00</sup> - 20<sup>00</sup>

Fr. 7<sup>00</sup> - 17<sup>00</sup>



Paulmann Licht GmbH  
31832 Springe / Germany  
www.paulmann.com

Art.-Nr.:

976.48

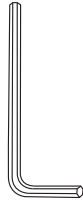
976.49

976.50

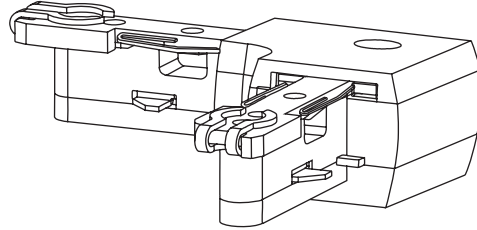
(+MA 173)

PBO 04/11

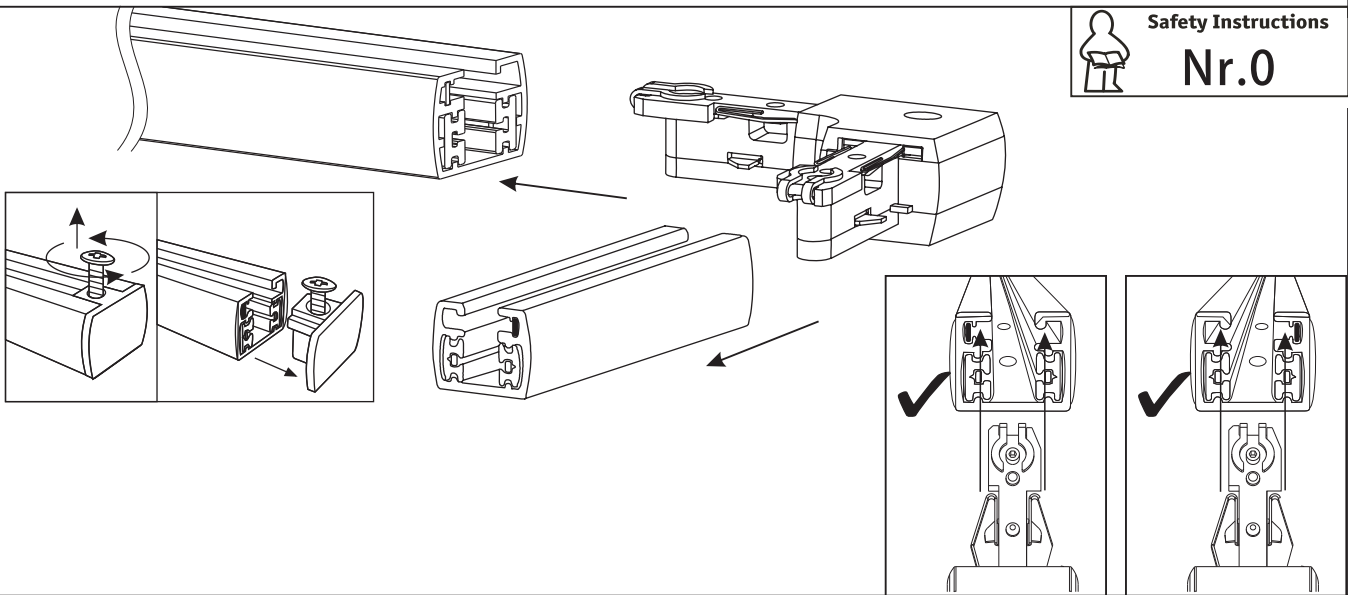
incl.



1x



A



Safety Instructions

Nr.0

B

