

P

Paulmann

Safety Instructions



0,1,2,4,6,7,8,9,11,
15,20,22,26,27.



Info Hotline 

+49 (0) 5041 998 389

Mon. - Do. 7⁰⁰ - 20⁰⁰

Fr. 7⁰⁰ - 17⁰⁰



Paulmann Licht GmbH
31832 Springe / Germany
www.paulmann.com

Art.-Nr.:

976.48

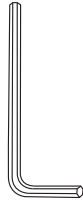
976.49

976.50

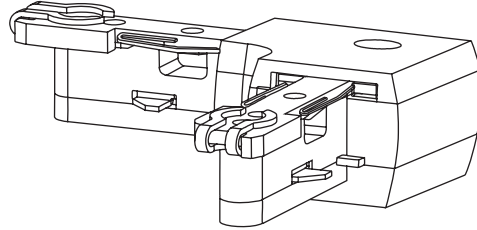
(+MA 173)

PBO 04/11

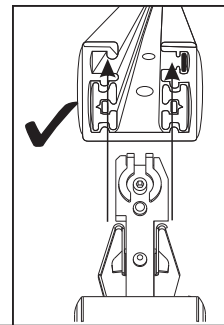
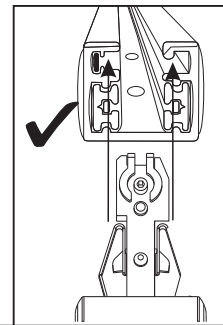
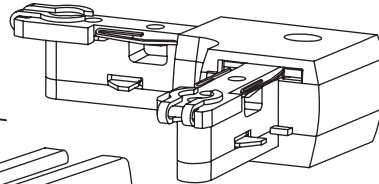
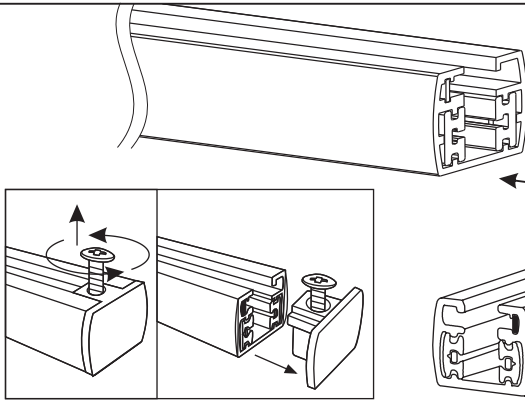
incl.



1x



A



Safety Instructions

Nr.0

B

